

2018 MEMBER DIRECTORY



Promoting professionalism in the onsite wastewater industry

TABLE OF CONTENTS

| | |
|--------------------------------------|----------------|
| MOWA Board of Directors..... | Page 4 |
| MOWA Committees..... | Page 4 |
| Minnesota Counties | Page 5 |
| General Membership..... | Page 6 |
| Manufacturers/Suppliers | Page 19 |
| Government / Educators..... | Page 22 |
| Alphabetical Index..... | Page 24 |
| Membership Form | Page 31 |

CONTACTS

MOWA STAFF

Patrick Martyn, Executive Director
martyninc@aol.com

Carla Tourin, Administrative Services
mowacarla@aol.com

MOWA MAILING ADDRESS

Minnesota Onsite Wastewater Association

5021 Vernon Ave. So., #241
Edina, MN 55436
Phone: 612.801.5897
Fax: 952.487.4447

MOWA WEBSITE

www.mowa-mn.com

GOPHER STATE ONE-CALL

Phone: 651-454-0002
Toll-Free: 800-252-1166
www.gopherstateonecall.org
2020 Centre Point Blvd.
Mendota Heights, MN 55120

MN GOVERNOR'S OFFICE

Phone: 651-296-2146
Toll-Free: 800-657-3717
www.governor.state.mn.us
Room 130, State Capitol
St. Paul, MN 55155

MN HOUSE INFORMATION

Phone: 651-296-2146
Toll-Free: 800-657-3550
www.house.leg.state.mn.us
100 Rev. Dr. Martin Luther
King Jr. Blvd
St. Paul, MN 55155-1606

MN SENATE INFORMATION

Phone: 651-296-0504



2018 HAS BEEN ANOTHER EVENTFUL YEAR FOR THE MINNESOTA ONSITE WASTEWATER ASSOCIATION

Leadership in the organization has worked to deliver two important events—the 2018 MOWA Conference this past winter and the Summer Seminar in July. In addition, your Board of Directors has provided guidance throughout the year while monitoring industry developments and legislative initiatives that affect your industry. Kudos to all for their willingness to be advocates for the Onsite Industry.

In addition to state-level efforts to promote professionalism in the industry, MOWA also has the honor of being a co-sponsor for the 4th Annual Wastewater Mega-Conference October 21st through 24th at the DoubleTree by Hilton in Bloomington. Other sponsors are SORA (State Onsite Regulators Alliance), and NAWT (National Association of Wastewater Technicians). The Mega-Conference offers Minnesota onsite staff an unparalleled opportunity to hear from national experts from all specialities within the industry.

As always—if you have concerns, questions or comments, please contact the MOWA office or one of your Board members!

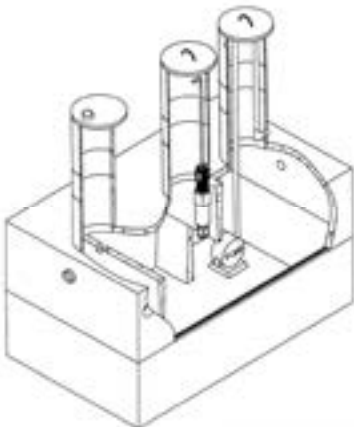
Pat Martyn

MOWA Executive Director

WILLMAR PRECAST COMPANY

Products, Services & Solutions for Your Septic Installation

“Helping put money in your pocket and not down the drain.”



- Complete line of tanks to accept effluent filters
- Prompt delivery on your schedule
- Entry to the tank can be made from either side or the end
- Tanks designed to conform to standards set by the Minnesota Pollution Control Agency
- Engineer designs available upon request

For ordering, pricing and other information, please contact:

Concrete Drop Boxes

Straight 1000-3500 Gallon Septic Tanks
1500-3500 Gallon Combination Lift Tank & Septic Tank
Complete line of Zoeller pumps, gravelless drain field and filter fabric

Willmar Precast Company

Toll Free: 1-800-559-8527

2018 MOWA BOARD OF DIRECTORS

Andy Winkler, President

Wieser Concrete
winkler@wieserconcrete.com
715-647-2311

Mike Capra, President-Elect

Capra's Utilities
mike@capras.com
651-762-2500

Dean Flygare, Past-President

Flygare Excavating, Inc.
deanflygare@gmail.com
320-980-3856

Cindy Tiemann, Secretary

Fiedler's Your Pumping
Specialists
cindy@fiedlerpumping.com
320-252-9916

Pete Otterness, Treasurer

Nicollet County
pete.otterness@co.nicollet.mn.us
507-934-7076

Eric Blasing

Wenck Associates
eblasing@wenck.com
651-428-8038

Stacey Feser

Feser Environmental
staceyfeser@gmail.com
612.382.7491

Nick Haig

MPCA
nick.haig@state.mn.us
651-757-2536

Travis Johnson

Septic Check
travis@septiccheck.com
320-630-4253

Chris LeClair

Otter Tail Land & Resources
cleclair@co.ottertail.mn.us
218-998-8105

Bernie Miller

Miller's Sewage Treatment Solutions
bernie@millerssewage.com
320-398-2705

2018 MOWA COMMITTEES

CONVENTION

Summer 2018

Bernie Miller – Chair

Stacey Feser
Dean Flygare
Travis Johnson
Chris LeClair

Fall 2018

Craig Gilbertson – Co-Chair

Sara Heger – Co-Chair

Andy Winkler – Co-Chair

Dean Flygare
Nick Haig
Chris LeClair
Pete Otterness

LIFETIME MEMBERS

Jim Anderson
John Bruender
Ron Jaspersen
Roger Machmeier
Barbara McCarthy
Melvin McGowan
Bill Olson
Gretchen Sabel
Robert Volkenant
Mark Wespetal

GOVERNMENT RELATIONS

Legislative / Public Policy

Brian Koski – Chair

Eric Blasing
Sara Heger
Ron Jaspersen

Regulator/MPCA

Stacey Feser
Dean Flygare
Nick Haig
Travis Johnson
Bernie Miller

Memberships

Cindy Tiemann – Chair

Mike Capra
Dean Flygare
Wayne Johnson
Bernie Miller
Pete Otterness

Mentorship

Bernie Miller – Chair

Nick Haig
Cindy Tiemann

Outreach / Technology

Chris LeClair – Co-Chair

Andy Winkler – Co-Chair

Nick Haig
Sara Heger
Cindy Tiemann

Safety Committee

Andy Winkler - Chair

Eric Blasing

Tank Manufacturers

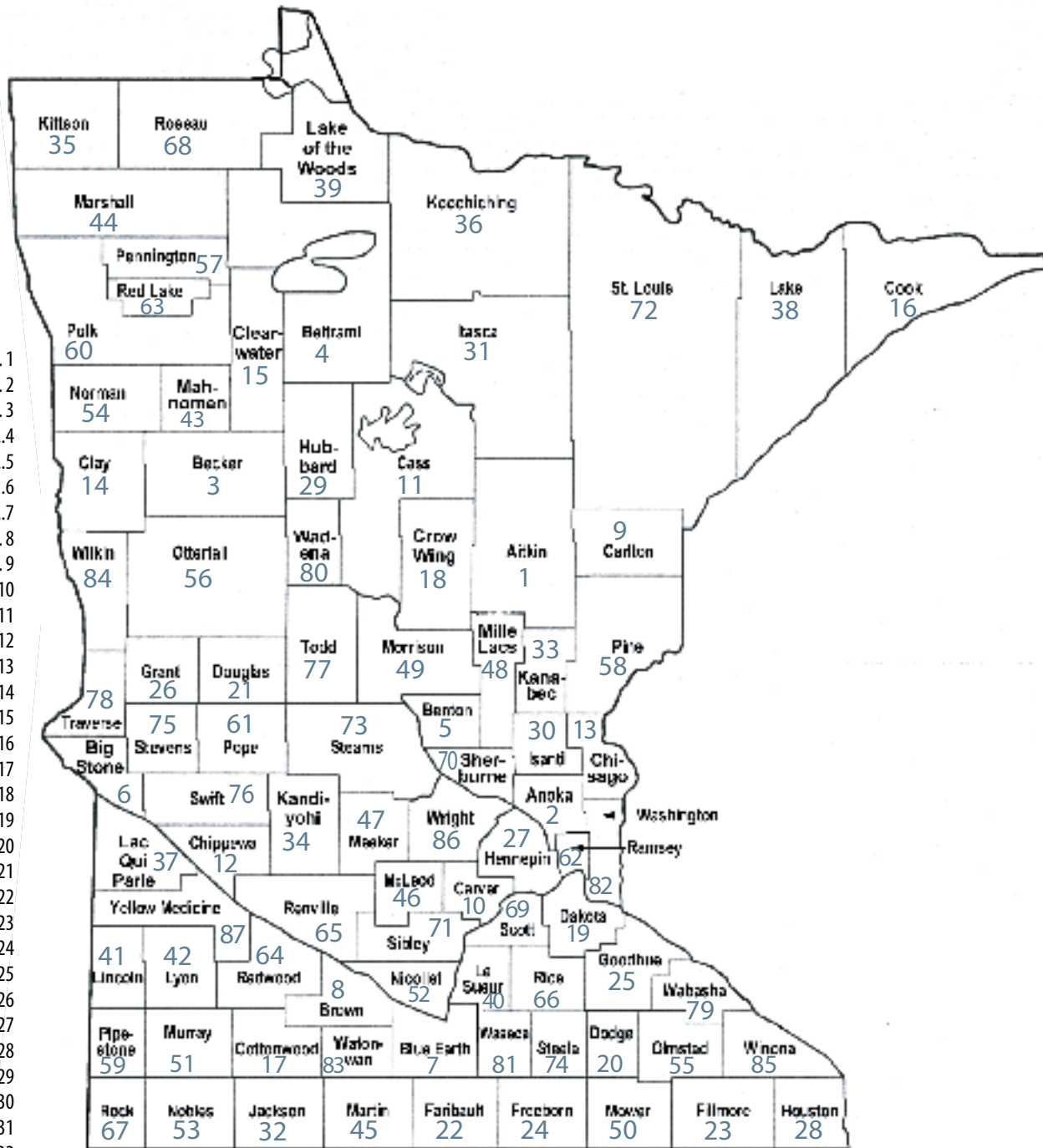
Ron Jaspersen, Chair

Jack Ascherman
Steve Mader
Jennifer Shinehouse
Mark Smith
Greg Verthein
Andy Wieser
Bruce Wieser

Numerical listing of counties served by members.

Membership information includes list of counties.

| | |
|-------------------------|------------------|
| Aitkin | 1 |
| Anoka..... | 2 |
| Becker | 3 |
| Beltrami..... | 4 |
| Benton | 5 |
| Big Stone | 6 |
| Blue Earth | 7 |
| Brown | 8 |
| Carlton | 9 |
| Carver..... | 10 |
| Cass | 11 |
| Chippewa | 12 |
| Chisago | 13 |
| Clay..... | 14 |
| Clearwater | 15 |
| Cook..... | 16 |
| Cottonwood | 17 |
| Crow Wing..... | 18 |
| Dakota | 19 |
| Dodge | 20 |
| Douglas..... | 21 |
| Faribault..... | 22 |
| Fillmore..... | 23 |
| Freeborn | 24 |
| Goodhue | 25 |
| Grant..... | 26 |
| Hennepin | 27 |
| Houston | 28 |
| Hubbard..... | 29 |
| Isanti..... | 30 |
| Itasca | 31 |
| Jackson | 32 |
| Kanabec..... | 33 |
| Kandiyohi..... | 34 |
| Kittson | 35 |
| Koochiching | 36 |
| Lac qui Parle Lake..... | 37 |
| Lake | 38 |
| Lake of the Woods..... | 39 |
| Le Sueur..... | 40 |
| Lincoln | 41 |
| Lyon | 42 |
| Mahnomen | 43 |
| Marshall..... | 44 |
| Martin..... | 45 |
| McLeod | 46 |
| Meeker..... | 47 |
| Mille Lacs | 48 |
| Morrison | 49 |
| Mower..... | 50 |
| Murray | 51 |
| Nicollet..... | 52 |
| Nobles..... | 53 |
| Norman | 54 |
| Olmsted..... | 55 |
| Otter Tail | 56 |
| Pennington | 57 |
| Pine..... | 58 |
| Pipestone | 59 |
| Polk..... | 60 |
| Pope..... | 61 |
| Ramsey | 62 |
| Red Lake | 63 |
| Redwood | 64 |
| Renville | 65 |
| Rice..... | 66 |
| Rock..... | 67 |
| Scott..... | 69 |
| Sherburne | 70 |
| Sibley..... | 71 |
| St. Louis | 72 |
| Stearns..... | 73 |
| Steele..... | 74 |
| Stevens | 75 |
| Swift | 76 |
| Todd..... | 77 |
| Traverse..... | 78 |
| Wabasha | 79 |
| Wadena..... | 80 |
| Waseca..... | 81 |
| Washington | 82 |
| Watonwan | 83 |
| Wilkin..... | 84 |
| Winona | 85 |
| Wright..... | 86 |
| Yellow Medicine..... | 87 |
| Statewide..... | All 87 counties! |



| | | | | | |
|------------------|----|-----------------|----|----------------------|------------------|
| Meeker..... | 47 | Pope..... | 61 | Stevens | 75 |
| Mille Lacs | 48 | Ramsey | 62 | Swift | 76 |
| Morrison | 49 | Red Lake | 63 | Todd..... | 77 |
| Mower..... | 50 | Redwood | 64 | Traverse..... | 78 |
| Murray | 51 | Renville | 65 | Wabasha | 79 |
| Nicollet..... | 52 | Rice..... | 66 | Wadena..... | 80 |
| Nobles..... | 53 | Rock..... | 67 | Waseca..... | 81 |
| Norman | 54 | Roseau | 68 | Washington | 82 |
| Olmsted..... | 55 | Scott..... | 69 | Watonwan | 83 |
| Otter Tail | 56 | Sherburne | 70 | Wilkin..... | 84 |
| Pennington | 57 | Sibley..... | 71 | Winona | 85 |
| Pine..... | 58 | St. Louis | 72 | Wright..... | 86 |
| Pipestone | 59 | Stearns..... | 73 | Yellow Medicine..... | 87 |
| Polk..... | 60 | Steele..... | 74 | Statewide..... | All 87 counties! |

2018 MOWA GENERAL MEMBERSHIP

Main Location

A&T Septic & Excavating/ J&J Pumping

Aaron Thompson
aaron@atseptic.com
320.221.1800

Tim Kinney
tim@atseptic.com
320.894.8779

Nathan Toutges
320.221.4512

PO Box 134, Olivia, MN 56277
COUNTIES: St. Louis (72)
SPECIALTIE(S): Installer

Main Location

A-1 Services, Inc.

James E. Bertucci, President
info@a1servicesmn.com
218.744.4443 / CELL: 218.750.3394
FAX - 218.303.4191

James A. Bertucci
jamieb@a1servicesmn.com
218.744.4443 / CELL: 218.750.8185
FAX: 218.303.8185

2715 Hwy 37, Eveleth, MN 55734
COUNTIES: St. Louis (72)
SPECIALTIE(S): Installer

Main Location

Advanced Property Inspections

Justin Ziemer
info@propertyinspectionsinc.com
320.354.7233
604 4th Ave. SW, New London, MN 56273
COUNTIES: Kandiyohi (34), Meeker (47), Stearns (73), Swift (76)
SPECIALTIES: Designer, Inspector, Installer

Main Location

Advanced Septic Solutions Inc.

Tom Wirtzfeld, CEO
tom@advsepsol.com
507.210.4795

**Paul Simonsen Sr., Wastewater
Operator**
CELL: 651.324.2773

Paul Steinbrucker
CELL: 651.307.5986
FAX: 507.645.1029

7505 320th St. W, Northfield, MN 55057
COUNTIES: Chisago (13), Dakota (19), Freeborn (24), Goodhue (25), Rice (66), Scott (69), Steele (74), Washington (82)
SPECIALTIES: Advanced Installer, Designer, Inspector, Pumper

Branch Location

Advanced Septic Solutions Inc.

Nick Simonsen, Foreman
nick@advsepsol.com
651.324.3931
FAX: 507.645.1029
120 Shady Ave., Vermillion, MN 55095
COUNTIES: Dakota (19), Goodhue (25), Rice (66), Scott (69), Washington (82)

Branch Location

Advanced Septic Solutions Inc.

Nate Plaszcz, Operator
nate@advsepsol.com
952.220.8163
FAX: 507.645.1029
5585 126th St. W., Apple Valley, MN 55124
COUNTIES: Dakota (19), Rice (66)

Main Location

Affordable Pumping, Inc.

Jim Moser, President
jim_affordablepumping@hotmail.com
320.693.1000

54232 343rd St., Grove City, MN 56243
COUNTIES: Benton (5), Chippewa (12), Kandiyohi (34), McLeod (46), Meeker (47), Renville (65), Sibley (71), Stearns (73), Swift (76), Wright (86)
SPECIALTIES: Operator/Maintenance, Pumper, Service Provider

Main Location

AK Industries, PO Box 640

Steven Davis, Sales Associate
steved@akindustries.com
574.936.2542 / CELL: 574.780.2224
FAX: 574.436.2298
PO Box 640, Plymouth, IN, 46563
COUNTIES: Statewide (88)
SPECIALTIES: Manufacturer

Main Location

All State Septic Services, LLC

Tom Trooien, Owner
tomtrooien@aol.com
651.439.7323 / CELL: 612.594.4496
12155 Norell Ave. N, Stillwater, MN 55082
COUNTIES: Anoka (2), Chisago (13), Dakota (19), Ramsey (62), Washington (82)

Main Location

Al's Concrete Products, Inc.

Bruce Wieser
charlie@alsconcreteproducts.com
507.845.4509
800 Townhall Road, LaCrescent, MN 55947
COUNTIES: Statewide (88)
SPECIALTIES: Manufacturer

Main Location

Apex Efficiency Solutions, SBC

Alex Pepin, Project Manager
alexp@apex-co.us
612.418.5509

Seth DeGeest
sethd@apex-co.us
763.201.8953

Mark Rasmussen
markr@apex-co.us 763.201.8488

763.201.8488
FAX: 763.657.1012
403 Jackson St., #308, Anoka, MN 55303
COUNTIES: Statewide (88)
SPECIALTIES: Designer, Inspector, Professional Engineer, Service Provider

Main Location

Ark Septic, LLC

Ashley Krause, Owner
arkseptic17@gmail.com
763.760.4172
25297 Llama St., NW, Zimmerman, MN 55398

COUNTIES: Anoka (2), Benton (5), Chisago (13), Hennepin (27), Isanti (30), Kanabec (33), Mille Lacs (48), Pine (58), Sherburne (70), Washington (82)
SPECIALTIES: Designer, Inspector, Installer

Main Location

Arrowhead/QBE

**Rich Dern, Business Development
Leader**
rdern@arrowheadgrp.com
414.377.3660
1 General Dr., Bldg. 100, Sun Prairie, WI 53596
COUNTIES: Statewide (88)
SPECIALTIES: Insurance, Service Provider

Main Location

Badger Excavating, Inc.

Joseph Simon
joe@badgerexcavating.com
507.744.5565
8375 70th Street W, Lonsdale, MN 55046
COUNTIES: Blue Earth (7), Dakota (19), Le Sueur (40), Nicollet (52), Rice (66), Scott (69)
SPECIALTIES: Designer, Installer

Branch Location

Badger Excavating, Inc.

Paul Simon
paul@badgerexcavating.com
507.744.5565

14453 Shieldsville Blvd., Lonsdale, MN 55046

Branch Location

Bakker Septic Tanks LLC

Daniel Bakker
507.247.3390
2579 West Hwy 14, Tyler, MN 56178

Main Location

Belle Plaine Block & Tile, Inc.

Jennifer Shinehouse
bpbt@frontiernet.net
952.873.2363 / CELL: 952.873.2368
130 South Ash St, Belle Plaine, MN, 56011
COUNTIES: Statewide (88)
SPECIALTIES: Manufacturer, Supplier

Main Location

Berg Brothers

Eric Berg
eric12berg@gmail.com
952.496.3616
1902 Valley View Road, E., Shakopee, MN 55379

Main Location

Big Stone Excavating

Mark Throener, Owner
markthroener@gmail.com
320.547.3124, CELL: 320.360.5351

Rocky Throener
rocky424@hotmail.com
320.360.4734

18651 Morrison Line Rd., Swanville, MN 56382

COUNTIES: Benton (5), Morrison (49), Ramsey (62), Stearns (73), Todd (77),
SPECIALTY: nstaller

Main Location

Bill Wolfe Excavating, Inc.

Jake Bell
bwe195@gmail.com
651.430.2256 / CELL: 612.919.2589
PO Box 775, Stillwater, MN 55082
COUNTIES: Dakota (19), Washington (82)
SPECIALTY: Installer

2018 MOWA GENERAL MEMBERSHIP

Main Location**Bishop Excavating, Inc.****Ben Bishop, Owner**

ben@bishopexcavating.com

507.583.2999

FAX: 507.583.0060

8043 158th St. SE, Blooming Prairie, MN 55917

COUNTIES: Dodge (20), Freeborn (24), Mower (50), Steele (74)

SPECIALITIES: Designer, Inspector, Installer, Operator/Maintenance

Main Location**Blakeman Inc.****Kent Blakeman**

charlie@alsconcreteproducts.com

218.963.4431

24485 County Rd 4, Nisswa, MN 56468

COUNTIES: Cass (11), Crow Wing (18)

SPECIALITY: Pumper

Main Location**Bob's Biffys LLC****Robert Lenort, Owner**

rslenort@hotmail.com

507.773.4423

667 240th Ave., Fairmont, MN 56031

COUNTIES: Cottonwood (17), Faribault (22), Jackson (32), Martin (45), Watonwan (83)

SPECIALITIES: Designer, Installer, Pumper

Main Location**Bob's Septic Service****Robert Rokes, Owner**

robertbobspump@aol.com

218.583.4424 / CELL: 218.640.6579

51499 County Hwy 134, Henning, MN 56551

COUNTIES: Becker (3), Otter Tail (56), Todd (77), Wadena (80), Wilkin (84)

SPECIALITIES: Designer, Installer, Inspector, Pumper

Main Location**Boening Brothers Construction Service, LLP****Steven Boening****Kyle Boening**

507.524.3730

117 State Hwy. 22 N, Mapleton, MN 56065

COUNTIES: Blue Earth (7), Faribault (22), Martin (45), Nicollet (52), Waseca (81)

SPECIALITIES: Designer, Inspector, Installer, Operator/Maintenance

Main Location**Bohn Well Drilling Co.****Gary Bohn**

gary@bohnwell.com

952.445.4809

Charles Bohn

info@bohnwell.com

CELL: 612.919.1542

Jason Hackett

CELL: 612.919.1544

Joey Menden

info@bohnwell.com

CELL: 952.292.5039

Jeffrey Foster

info@bohnwell.com

CELL: 612.328.0814

FAX: 952.445.1439

18190 Dairy Lane, Ste. 101, Jordan, MN 55352

COUNTIES: Carver (10), Dakota (19), Faribault (22), Goodhue (25), Hennepin (27), Le Sueur (40), Rice (66), Scott (69), Sibley (71), Washington (82)

SPECIALITIES: Designer, Installer

Main Location**Bollig, Inc.****Brian Bollig**

bbollig@bollig-engineering.com

320.235.2555

1700 Technology Dr, Ste. 124, Willmar, MN 56201

COUNTIES: Statewide (88)

SPECIALITIES: Designer, Inspector, Professional Engineer

Main Location**Bongard Corp./Norwesco****Mike Smeed**

mikesmeed@bongard.com

651.982.9802

13666 Lake Dr., PO Box 640, Forest Lake, MN 55025

COUNTIES: Statewide (88)

SPECIALITY: Supplier

Main Location**Borka Excavating LLC****Jay Borka**

jborka@broadband-mn.com

320.485.2433

6381 230th Street, Winsted, MN 55395

COUNTIES: Carver (10), McLeod (46), Meeker (47), Wright (86)

SPECIALITIES: Designer, Installer

Main Location**Brainerd Lakes Sewer LLC****Dale Jindra**

info@brainerdsewer.com

218.821.1236

11382 Bonnie Road, Brainerd, MN 56401

COUNTIES: Aitkin (1), Cass (11), Crow Wing (18), Kanabec (33) Mille Lacs (48)

SPECIALITY: Pumper

Main Location**Brogard Plumbing Heating & Excavating Inc.****Brian Brogard**

brogardplbg@hotmail.com

218.583.2041

306 Industrial Dr., Henning, MN 5655

COUNTIES: Otter Tail (56)

SPECIALITIES: Designer, Inspector, Installer

Main Location**Brown-Wilbert Inc.****Todd Paul**

tpaul@brown-wilbert.com

320.251.4181

3921 Roosevelt Road, St. Cloud, MN 56301

COUNTIES: Statewide (88)

SPECIALITY: Manufacturer

Branch Location**Brown-Wilbert Inc.****Jack Ascherman**

jascherman@brown-wilbert.com

Connor Brown

651.631.1234

2280 N. Hamline Ave., St. Paul, MN 55113

Branch Location**Brown-Wilbert Inc.****Robert Kodet**

rkodet@brown-wilbert.com

952.469.3996

22676 Pillsbury Ave., Lakeville, MN 55044

Branch Location**Brown-Wilbert Inc.****Gerald DeGrey**

robertbobspump@aol.com

320.589.3173

513 E. 7th St., Morris, MN 56267

Branch Location**Brown-Wilbert Inc.****Ike Paxton**

701.235.6669

4525 University Dr. S, Fargo, ND 58104

Main Location**Bruce Bucknell Construction, Inc.****Bruce Bucknell, Owner**

bbconstruction883@gmail.com

507.533.8830 / CELL: 507.259.6751

31901 770th Avenue, Racine, MN 55967

COUNTIES: Dodge (20), Fillmore (23), Mower (50), Olmsted (55)

SPECIALITIES: Designer, Inspector, Installer, Pumper

Branch Location**Bruce Bucknell Construction, Inc.****Todd Bucknell, Operator**

507.259.6754

75405 265th St., Grand Meadow, MN 55936

Branch Location**Bruce Bucknell Construction, Inc.****Jake Goodale, Laborer**

507.533.8830

810 Mathers St., LeRoy, MN 55951

Main Location**Brummer Septic, LLC****Jeff Brummer, Owner**

brummerseptic@gmail.com

218.821.0704

7450 Burr Lane, Brainerd, MN 56401

COUNTIES: Aitkin (1), Cass (11), Crow Wing (18), Mille Lacs (48), Morrison (49)

SPECIALITIES: Designer, Inspector

Main Location**Burski Excavating, Inc.****Rick Burski**

kim@burski.net

320.393.4160 / CELL: 320.980.0619

320 Division St. SE, PO Box 130, Rice, MN 56367

COUNTIES: Benton (5), Morrison (49), Sherburne (70), Stearns (73)

SPECIALITY: Installer

Main Location**C K Excavating****Chris Klein, Owner**

ckexc@yahoo.com

612.414.7616

9260 31st Street N, Lake Elmo, MN 55042

COUNTIES: Chisago (13), Isanti (30), Ramsey (62), Washington (82)

SPECIALITY: Installer

2018 MOWA GENERAL MEMBERSHIP

Main Location

CK Septic Service & Toilet Rental, LLC

Charley Kaskinen, Owner/Pumper

ckaskinen2002@yahoo.com

320.274.8875 / CELL: 763.300.5037

14364 County Road 37, NW, Annandale, MN 55302

COUNTIES: McLeod (46), Meeker (47), Sherburne (70), Stearns (73), Wright (86)

SPECIALTY: Pumper

Main Location

Capra's Utilities Inc.

Michael Capra, President

mikelcapra@yahoo.com

651.762.2500 / CELL: 651.248.0707

John Handrahan, Foreman

jhandrahan13@gmail.com

651.755.9748

Corey Erickson

coreygrant96@gmail.com

651.762.2500

Garrett Adams

garrettadams79@gmail.com

651.762.2500

Nick Fox

651.762.2500

2340 Leibel St., White Bear Lake, MN 55110

COUNTIES: Anoka (2), Dakota (19), Ramsey (62), Washington (82)

SPECIALTY: Installer

Main Location

Carlson Concrete Products

Al Johnson

carlsonconcrete@yahoo.com

Leonard Kriske

Kenny Schramm

218.724.3391

FAX: 218.724.0743

4958 Rice Lake Rd, Duluth, MN 55803

COUNTIES: Aitkin (1), Carlton (9), Cook (16), Lake (38), Lake of the Woods (39), Mille Lacs (48), Pine (58), St. Louis (72)

SPECIALTIES: Manufacturer, Supplier

Main Location

Casper's Excavating, Inc.

Jerry Casper

gcasper54@yahoo.com

763.434.3618

PO Box 335, Cedar, MN 55011

COUNTIES: Anoka (2), Isanti (30), Sherburne (70), Washington (82), Designer

SPECIALTIES: Installer, Inspector, Pumper

Main Location

Clark's Excavating & Septic Pumping

Herman Clark

kclark4612@msn.com

218.236.1959

15501 18th Street N, Georgetown, MN 56546

COUNTIES: Clay (14), Norman (54), Wilkin (84)

SPECIALTIES: Designer, Installer, Pumper

Branch Location

Clark's Excavating & Septic Pumping

Jeremy Clark

218.236.1959

293 110th Ave. N, Moorhead, MN, 56560

Main Location

Cloquet Constructors, LLC

Richard Vukonich, Owner

rvukonich3@gmail.com

218.879.1608 / CELL: 218.391.9258

FAX: 218.879.1608

8432 Surakka Road, Cloquet, MN 55720

COUNTIES: Carlton (9), Lake (38), Pine (58), St. Louis (72)

SPECIALTIES: Designer, Inspector, Installer

Main Location

Conboy's Excavating/ MC Contracting

Mike Conboy

conboy11@frontier.com

651.463.3907

22285 Albatross Circle, Farmington, MN 55024

COUNTIES: Carver (10), Dakota (19), Goodhue (25), Rice (66), Scott (69), Washington (82)

SPECIALTIES: Designer, Inspector, Installer

Main Location

Crest Precast, Inc.

Steve Mader

steve@crestprecastconcrete.com

507.895.2342

Dennis Stevens

dennis@crestprecastconcrete.com

262.844.9139

FAX: 507.895.2377

609 Kistler Dr., LaCrescent, MN 55947

COUNTIES: Statewide (88)

SPECIALTY: Manufacturer

Main Location

Crust Busters

Pete Schmitz

pete@crustbusters.com

763.878.2296

13667 Meridian Ave. N, Monticello, MN 55362

COUNTIES: Sherburne (70), Stearns (73), Wright (86)

SPECIALTIES: Manufacturer, Supplier

Branch Location

Crust Busters

Steve Rasset

6779 Jefferson Ave. NW, Annandale, MN,

55302

Main Location

D H Contracting

Destry Hell

destryh@frontiernet.net

218.278.4767

4900 N River Drive, Littlefork, MN, 56653

COUNTIES: Koochiching (36), Lake of the Woods (39), St. Louis (72)

SPECIALTIES: Designer, Inspector, Installer, Pumper

Main Location

Dan's Sewer Service

Jerry Helm

jerry_helm@q.com

763.434.6814

7971 Jackson St. NE, Spring Lake Park, MN 55432

COUNTIES: Anoka (2), Hennepin (27), Ramsey (62), Washington (82)

SPECIALTY: Pumper

Main Location

Darlow Excavating

Ernest Darlow, Sr.

darlowexc@hotmail.com

218.426.4320

48237 Lake Avenue, McGregor, MN 55760

COUNTIES: Aitkin (1), Carlton (9), Wright (86)

SPECIALTIES: Designer, Inspector, Installer, Pumper

Main Location

Day Excavating Inc.

Rodney Day

jpd@uslink.net

218.947.3311

290 State Hwy. 371 SW, Backus, MN 56435

COUNTIES: Cass (11)

SPECIALTIES: Designer, Installer, Pumper

Main Location

Day's Sewer Service, LLC

Jason Day

218.947.3139

218 State 371 SW, Backus, MN, 56435

COUNTIES: Cass (11), Crow Wing (18), Hubbard (29)

SPECIALTIES: Installer, Pumper

Main Location

Del Zotto Products of MN, Inc.

Bill Del Zotto, Owner

r.krall@delzottolink.com

218.384.3066

FAX: 763.421.9882

Dale Lisdahl, Sales

d.lisdahl@delzottolink.com

218.384.3066

FAX: 218.384.3068

1900 Cty. Rd. 1, Wrenshall, MN 55797

COUNTIES: Statewide (88)

SPECIALTIES: Manufacturer, Supplier

Branch Location

Del Zotto Products of MN, Inc.,

Ryan Krall, Sales

r.krall@delzottolink.com

763.421.9800 / CELL: 612.308.8455

FAX: 763.421.9882

3098 162nd St. NW, Andover, MN 55304

Main Location

Dirtworks, Inc.

Steven Strandlund

stevesr@dirtworksmn.com

763.434.4771

Box PO 169, Cedar, MN, 55011

COUNTIES: Anoka (2), Chisago (13), Hennepin (27), Isanti (30), Ramsey (62)

SPECIALTY: Installer

Main Location

Don Loken Drainage

Don Loken

loken@qwestoffice.net

507.451.2873

3695 Hoffman Dr. NW, Owatonna, MN 55060

COUNTIES: Dodge (20), Freeborn (24), Mower (50), Rice (66), Steele (74), Waseca (81)

SPECIALTIES: Designer, Inspector, Installer, Pumper

2018 MOWA GENERAL MEMBERSHIP

Main Location**DSG-Pipeline***Kurt Christopherson*kurtc@pipeline-supply.com

612.716.9708

9668 Fallon Ave, Monticello, MN, 55367

COUNTIES: Statewide (88)

SPECIALITY: Supplier

Main Location**DTB Mgmt. LLC,***Tami May, President*dtste@q.com*Dennis May, Vice-President*

763.276.8420

FAX: 763.413.0728

13055 Riverdale Dr. NW, Coon Rapids, MN

55448

COUNTIES: Anoka (2), Becker (3), Chisago (13), Hennepin (27), Isanti (30), Ramsey (62), Sherburne (70), Washington (82), Wright (86)

SPECIALITIES: Designer, Installer, Pumper

Branch Location**DTB Mgmt. LLC***Brenda May, Maintainer*dtsepticservices@hotmail.com

763.286.1815

PO Box 726, St. Francis, MN, 55070

Main Location**Duane's Septic Service, LLC***Jim Eicher*duaneseptic@centurylink.net*Theresa Eicher*

763.497.2764

1205 LaBeaux Ave. NE, St. Michael, MN 55376

COUNTIES: Anoka (2), Hennepin (27), Sherburne (70), Wright (86)

SPECIALITIES: Pumper

Branch Location**Duane's Septic Service, LLC,***Duane Barthel*

10502 31st Pl. NE, St. Michael, MN 55376

Main Location**Efficient Septic Pumping & Drain***Kelly Hammerschmidt*efficientseptic@hotmail.com

320.354.0108 / CELL: 320.354.0108

604 4th Ave. SW, New London, MN 56273

COUNTIES: (Chippewa 12), Kandiyohi (34), Meeker (47), Pope (61), Renville (65), Stearns (73), Swift (76), Yellow Medicine (87)

SPECIALITIES: Designer, Inspector, Installer, Pumper, Operator/Maintenance

Main Location**Eiden Farm Drainage***Everett Garlich*everettgarlich@frontiernet.net

507.375.5774

35127 746th Ave., St. James, MN 56081

COUNTIES: Brown (8), Cottonwood (17), Jackson (32), Martin (45), Watowan (83)

SPECIALITIES: Designer, Installer

Main Location**Elavsky Excavating & Septic, LLC,***Jordan Elavsky, Owner*esmexcavating@hotmail.com

218.760.1162

32349 Cty. 23, Akeley, MN, 56433

COUNTIES: Cass (11), Hubbard (29)

SPECIALITIES: Installer, Pumper

Main Location**Ellingboe Trucking & Excavating***Tim Ellingboe, Owner*timellingboe@frontier.com

320.979.9998

PO Box 114, Kandiyohi, MN 56251

COUNTY: Kandiyohi (34)

SPECIALITIES: Installer

Main Location**Ellingson Companies***Todd Koenigs, General Manager*tkoenig@ellingsoncompanies.com

507.527.2294 / CELL: 507.676.3223

Andy Henslin, Project Managerahenslin@ellingsoncompanies.com

507.527.2294 / CELL: 612.275.8553

Jaeson Osbornjosborn@ellingsoncompanies.com

303.944.7851

Clint Finnecfinne@ellingsoncompanies.com

507.273.4634

Chad Baumgartnerchbaumgartner@ellingsoncompanies.com

507.259.2371

56113 State Hwy. 56, West Concord, MN

55985

COUNTIES: Statewide (88)

SPECIALITY: Installer

Main Location**Eljen Corporation***Eric Daniels, Technical Specialist*edaniels@eljen.com

774.275.4569

125 McKee St., East Hartford, CT 06108

COUNTIES: Statewide (88)

SPECIALITY: Manufacturer

Main Location**Ende Septic Service***Scott Ende*info@endeseptic.com

763.428.4489

Tristan Endetristan@endeseptic.com

612.366.4826

Brandon Berning

612.220.6926

24910 Territorial Rd., Rogers, MN 55374

COUNTIES: Anoka (02), Clearwater (15), Hennepin (27), Hubbard (29), Isanti (30), Ramsey (62), Sherburne (70), Wright (86)

SPECIALITIES: Inspector, Pumper

Main Location**Executive Sanitation Inc.***Chase Johnson*chase@johnsonjet-line.com

320.965.2374

16275 State Hwy. 27 West Kensington, MN 56343

COUNTIES: Douglas (21), Grant (26), Otter Tail (56), Pope (61), Stevens (75), Wilkin (84)

SPECIALITIES: Inspector, Operator/Maintenance, Pumper

Main Location**Fergus Power Pump, Inc.***Mitch Okerstrom*mitch@ferguspump.com

218.736.6772

24978 225th St., Fergus Falls, MN 56537

COUNTIES: Becker (3), Grant (26), Otter Tail (56), Wilkin (84)

SPECIALITIES: Manufacturer, Pumper

Main Location**Feser Environmental***Stacey Feser, President*staceyfeser@gmail.com

612.382.7491

Robert Burns

507.665.6022

33319 Sand Prairie Lane, Le Sueur, MN 56058

COUNTIES: LeSueur (40), Nicollet (52), Rice (66), Scott (69), Sibley (71), Waseca (81)

SPECIALITIES: Designer, Installer, Inspector, Service Provider, Soil Scientist

Main Location**Fiedler's Your Pumping Specialists, Inc.***Cindy Tiemann, Owner/Maintainer/Service Provider**Jeff Tiemann, Owner/Maintainer**Art Betker, Maintainer*office@fiedlerpumping.com

320.252.9916

18627 Nature Rd., Royalton, MN 56373

COUNTIES: Benton (5), Morrison (49), Sherburne (70), Stearns (73), Wright (86)

SPECIALITIES: Pumper

Main Location**First Supply***Warren Haberman, Branch Manager*whaberman@1supply.com

218.829.6900

FAX: 218.828.9152

18078 State Hwy. 371, Brainerd, MN 56401

COUNTIES: Statewide (88)

SPECIALITIES: Supplier

Branch Location**First Supply***Wyatt Buttker, Product Manager*wbuttker@1supply.com

920.831.5252

FAX: 920.831.5286

2100 W. College Ave., Appleton, WI 54914

Branch Location**First Supply***Charlie Peterson, Fluid Handling Manager*cpeterson@1supply.com

507.536.2631

FAX: 507.287.0653

3815 Hwy. 14, Rochester, MN, 55901

2018 MOWA GENERAL MEMBERSHIP

Main Location

Flygare Excavating, Inc.

Dean Flygare

deanflygare@gmail.com

320.274.5437 / CELL: 320.980.3856

9850 91st St. NW, Annandale, MN, 55302

COUNTIES: Carver (10), Hennepin (27), McLeod (46), Meeker (47), Sherburne (70), Stearns (73), Wright (86)

SPECIALITIES: Designer, Installer

Branch Location

Flygare Excavating, Inc.

Darren Flygare

darrenflygare@gmail.com

CELL: 320.980.2861

597 Knollwood St. W, Annandale, MN 55302

Branch Location

Flygare Excavating, Inc.

Dan Fischer

8909 Linn Ave. NW, Annandale, MN 55302

Main Location

FS3, Inc.

Marty Ferguson, President

marty@fs3inc.biz

320.274.7223

Brent Baker, Sales

brent@fs3inc.biz

Dean Schreiner, Sales

dean@fs3inc.biz

FAX: 320.274.7205

9030 64th St., NW, PO Box 989,

Annandale, MN, 55302

COUNTIES: Statewide (88)

SPECIALITIES: Supplier

Main Location

G & G Septic LLC

Carl Gresezyk

ggseptic@boreal.org

218.387.2122

PO Box 907, Grand Marais, MN, 55604

COUNTIES: Cook (16)

SPECIALITIES: Pumper

Main Location

Geib Well & Water Services

Duane Geib, President

geibwell@gmail.com

507.964.2711

512 W Alden St., Arlington, MN, 55307

COUNTIES: Statewide (88)

SPECIALITIES: Designer, Installer

Main Location

Gielen Excavating

Dan Gielen, Owner

gielen@hotmail.com

218.246.2477 / CELL: 218.244.3608

11292 88th Ave. NE, Deer River, MN

56636

COUNTIES: Cass (11), Itasca (31)

Main Location

GN Excavating Inc.

Greg Cardinal

gnexc@live.com

651.408.1124 / CELL: 612.919.1157

25614 Goodwin Rd., Wyoming, MN 55092

COUNTIES: Anoka (2), Chisago (13), Grant (26), Hennepin (27), Isanti (30), Ramsey (62), Washington (82)

SPECIALITIES: Installer

Main Location

Goulds Water Technology/Xylem

Chris DeParde

chris.deparde@xylem.com

612.865.7049

4100 Blaisedell Ave., Minneapolis, MN

55409

COUNTIES: Statewide (88)

SPECIALITIES: Manufacturer

Main Location

Granite Water Works, Inc.

Jeff Molitor

jeff@granitewaterworks.com

320.253.8587

635 285th Ave. S, Waite Park, MN, 56387

COUNTIES: Statewide (88)

SPECIALITIES: Supplier

Main Location

Great River Excavating LLC

David Susterich

greatriver@charter.net

218.828.4764

10728 Blue Jay Trail, Brainerd, MN 56401

COUNTIES: Aitkin (01), Cass (11), Crow Wing (18), Mille Lacs (48), Morrison (49)

SPECIALITIES: Installer

Main Location

Gunflint Trail Excavating, LLC

Dave Tuttle

davet@boreal.org

218.388.4449

15 Crooked Pine Trail, Grand Marais, MN

55604

COUNTIES: Cook (16)

SPECIALITIES: Designer, Installer

Main Location

Hagsten Excavating, Inc.

Larry Hagsten, Owner

mmlh@northhc.com

218.263.4637

11051 Wilpen Trail, Hibbing, MN 55746

COUNTIES: Itasca (31), St. Louis (72)

SPECIALITIES: Designer, Installer

Main Location

Halling Engineering, Inc.

Greg Halling, President

grhalling@hallingeng.com

952.440.1680

3727 E. 255th St., Webster, MN 55088

COUNTIES: Statewide (88)

SPECIALITIES: Advanced Designer, Inspector, Professional Engineer

Main Location

Hansen Excavation, Inc.

Gary Hansen

garyhansen45@gmail.com

507.583.2348

9450 54th Ave. SE, Blooming Prairie, MN

55917

COUNTIES: Freeborn (24), Mower (50), Steele (74), Waseca (81)

SPECIALITIES: Designer, Inspector, Installer

Main Location

Hawes Septic Tank Pumping, LLC

Terry Scheidecker

hawespumping@gmail.com

218.367.2309

35541 State Hwy. 67, New York Mills, MN

56567

COUNTIES: Otter Tail (56)

SPECIALITIES: Pumper

Main Location

Hedlund Plumbing & Heating, Inc.

Darrel Hedlund

Thad Hedlund

Shane Swenson

Jeff Swenson

Dale Hedlund

320.286.2368

74313 CSAH 27, South Haven, MN 55382

COUNTIES: McLeod (46), Meeker (47), Stearns (73), Wright (86)

SPECIALITIES: Installer, Pumper

Main Location

Hillman Brothers, Inc.

Duane Hillman

hillmanbrosexcavating@yahoo.com

320.273.2277

68393 430th St., Odessa, MN, 56276

COUNTIES: Big Stone (6), Lac qui Parle Lake (37), Stevens (75), Swift (76), Traverse (78)

SPECIALITIES: Designer, Inspector, Installer

Branch Location

Hillman Brothers, Inc.

Brandon Hillman

320.273.2277 / CELL: 320.760.1821

FAX: 320.273.2239

105 West Rd. N, Odessa, MN 56276

Main Location

Hinrichs Plumbing & Pump Service, Inc.

Mark Hinrichs

507.732.5607

20750 420th St., Zumbrota, MN 55992

COUNTIES: Goodhue (25), Wabasha (79)

SPECIALITIES: Designer, Installer

Main Location

Hjerpe Contracting

Bob Schlueter, Supervisor

bobs@hjerpecontracting.com

320.234.8305

16248 Hwy. 15 S., PO Box 517,

Hutchinson, MN 55350

COUNTIES: McLeod (46), Meeker (47), Renville (65), Sibley (71), Wright (86)

SPECIALITIES: Designer, Inspector, Installer

Main Location

Hoehn Drainage & Excavating

Tom Hoehn

507.388.7741

1213 N 7th St., Mankato, MN 56001

COUNTIES: Blue Earth (7), LeSueur (40), Nicollet (52)

SPECIALITIES: Designer, Installer

Main Location

Honey Wagon, LLC

Josh Moser

the.wagon.llc@gmail.com

218.963.2225

PO Box 424, Nisswa, MN 56468

COUNTIES: Cass (11), Crow Wing (18)

SPECIALITIES: Pumper

2018 MOWA GENERAL MEMBERSHIP

Main Location**Hoot Systems, LLC**

Ronald Suchecki, General Manager
ron@hootsystems.com
337.474.2804

Troy Cormier

troy@hootsystems.com
337.474.2804

Aaron Yonts

aaron@hootsystems.com
337.704.0161

FAX: 337.478.7592

2885 Highway 14 E, Lake Charles, LA 70607

COUNTIES: Statewide (88)

SPECIALITIES: Manufacturer/Supplier

Main Location**Imholte Excavation and Trucking****Marty Imholte, Owner**

imholteexcavationandtrucking@
yahoo.com
320.291.6675

13484 77th St. SE, Clear Lake, MN 55319

COUNTIES: Benton (5), Sherburne (70), Stearns (73), Wright (86)

SPECIALITIES: Installer, Pumper

Main Location**Imperial Industries, Inc.****Kristi Adams,**

Sales, Marketing, Events Manager

kristi@imperialind.com

**Kyle Haase, Commercial Sales
Manager**

kyle@imperialind.com

Kurt Mannel, Vice-President

kurt@imperialind.com

715.359.0200

550 W. Industrial Park Ave., Rothschild,
WI 54474

COUNTIES: Statewide (88)

SPECIALITIES: Manufacturer

Main Location**Infiltrator Water Technologies****Jeff Iverson**

jeffiverson@infiltratorwater.com
507.254.6680

43476 Conifer St., Aitkin, MN 56431

COUNTIES: Statewide (88)

SPECIALITIES: Manufacturer

Main Location**Ingleside Engineering & Construction****Brian Van Beusekom**

brianvanbeusekom@yahoo.com
763.479.1869 / CELL: 612.290.7979

Ted Van Beusekom,

tvanbeus@hotmail.com,
CELL: 763.742.3122

FAX: 763.479.3161

PO Box 127, 4920 Hwy. 55, Loretto, MN
55357

COUNTIES: Anoka (2), Carver (10), Dakota (19),
Hennepin (27), Isanti (30), Mille Lacs (48),
Morrison (49), Sherburne (70), Stearns (73),
Wright (86)

SPECIALITIES: Designer, Inspector, Installer,
Other: Repair – Troubleshoot

Branch Location**Ingleside Engineering & Construction****Bob Koch**

763.479.2637 / CELL: 612.919.1461

PO Box 81, Loretto, MN 55357

Branch Location**Ingleside Engineering & Construction****Duane Ritter**

763.477.5649 / CELL: 612.919.1461

7120 Vernon St., Rockford, MN, 55373

Main Location**Insul-Seal Insulated PVC****Kevin DeBoer**

insulate@hmtel.com
507.378.4131

PO Box 68, 217 Harrison Ave., Racine, MN
55967

COUNTIES: Statewide (88)

SPECIALITIES: Manufacturer

Main Location**J.R. Bruender Construction, Inc.****Steve Bruender**

steve@jrbruender.com
507.257.3238 / CELL: 800.450.4161

60318 206th St., Eagle Lake, MN 56024

COUNTIES: Blue Earth (7), Brown (8), Faribault (22)
Le Sueur (40), Nicollet (52), Waseca (81)

SPECIALITIES: Designer, Inspector, Installer,
Operator/Maintenance, Pumper

Main Location**Jadd Seppmann & Sons****Jadd Seppmann**

seppmann@hickorytech.net
507.625.3400

54043 State Hwy 68, Mankato, MN 56001

COUNTIES: Blue Earth (7), Brown (8), Faribault (22)
Le Sueur (40), Martin (45), Nicollet (52),
Waseca (81)

SPECIALITIES: Designer, Inspector, Installer,
Operator/Maintenance, Pumper

Branch Location**Jadd Seppmann & Sons****Drew Seppmann**

54065 State Hwy. 68, Mankato, MN 56001

Branch Location**Jadd Seppmann & Sons****Todd Seppmann**

53187 203rd St., Lake Crystal, MN, 56055

Main Location**Jake's Johns LLC****Jake Doll**

jakesjohns@gmail.com
218.841.5533

43557 Co Hwy. 14, Ottertail, MN 56571

COUNTIES: Otter Tail (56)

SPECIALITIES: Other: Portable Restrooms

Main Location**James Brothers Construction, Inc.****Justin James****Steve James****Wayne James**

wayne.jamesbroconstruction@
frontier.com

507.267.4789

PO Box 59, 43963 43rd St., Elysian, MN
56028

COUNTIES: Blue Earth (07), Faribault (22),
LeSueur (40), Mower (50), Nicollet (52), Rice (66),
Scott (69), Steele (74), Waseca (81)

SPECIALITIES: Designer, Inspector, Installer,
Pumper

Main Location**Jason Hill Excavating LLC****Jason Hill**

hill@boreal.org

218.387.2501

PO Box 756, Grand Marais, MN, 55604

COUNTIES: Cook (16), Lake (38)

SPECIALITIES: Designer Installer

Main Location**Jed Smith Excavating & Septic, LLC****Jedidiah Smith, Owner**

jed@jedsmithexcavating.com
218.387.2933 / CELL: 218.370.8185

1502 Gunflint Trail, Grand Marais, MN
55604

COUNTIES: Cook (16), Lake (38), St. Louis (72)

SPECIALITIES: Designer, Inspector, Installer,
Service Provider

Main Location**Jeff Johnson Excavating, Inc.****Jeff Johnson**

jj@hci.net

320.847.2607

185 120th Ave. SE, Clara City, MN 56222

COUNTIES: Big Stone (6), Chippewa (12),
Kandiyohi (34), Lac qui Parle Lake (37), Pope (61),
Ridgewood (64), Renville (65), Swift (76),
Yellow Medicine (87)

SPECIALITIES: Designer, Inspector, Installer

Main Location**Josh Antus Construction****Josh Antus, President**

jantusconst@gmail.com

218.666.0569

9272 Savage Rd., Angora, MN 55703

COUNTIES: St. Louis (72)

SPECIALITIES: Designer, Installer

Main Location**KA Witt****Brandon Witt**

952.758.2108

1530 280th St. W, New Prague, MN 56071

COUNTIES: Aitkin (1), Carver (10), Cass (11), Crow
Wing (18), Dakota (19), Hennepin (27), LeSueur (40),
Nicollet (52), Rice (66), Scott (69), Sibley (71),
Wright (86)

SPECIALITIES: Designer, Inspector, Installer

Main Location**Kampsen Excavating, Inc.****Shaun Kampsen, Owner**

shkampsen@frontier.com

320.894.5337

47368 Cty. Rd. 19, Belgrade, MN 56312

COUNTIES: Kandiyohi (34), Pope (61), Stearns (73)

2018 MOWA GENERAL MEMBERSHIP

Main Location

Kidrowski Enterprises

Larry Kidrowski

fkidro@hcinet.net

320.841.2184

12030 10th St. NE, Clara City, MN 56222

COUNTIES: Big Stone (6), Chippewa (12), Kandiyohi (34) Lac qui Parle Lake (37) McLeod (46), Meeker (47), Pope (61), Renville (65), Swift (76), Yellow Medicine (87)

SPECIALITIES: Designer, Inspector, Installer

Main Location

Kimman Dirt Digger

Jim Kimman, Owner

j-kimman@msn.com

320.632.0730 / CELL: 218.839.2678

FAX: 320.632.0730

7061 1st Ave. NE, Little Falls, MN, 56345

COUNTIES: Crow Wing (18), Morrison (49)

SPECIALITIES: Installer

Main Location

Kimo's Septic Tank Pumping

Kim O'Laughlin

darcy@hbci.com

507.452.4488

Kyle O'Laughlin

507.452.6333

Corey, O'Laughlin

507.452.6340

FAX: 507.452.3904

525 Cottonwood Dr., Winona, MN, 55987

COUNTIES: Winona (85)

SPECIALITIES: Installer, Operator/Maintenance, Pumper

Main Location

Koep's Septic, LLC

Dustin Koep, Owner

koepsseptic@gmail.com

218.338.9671

56274 Co. Hwy. 46, Parkers Prairie, MN 56361

COUNTIES: Douglas (21), Grant (26), Otter Tail (56), Pope (61), Todd (77), Wadena (80)

SPECIALITIES: Pumper

Main Location

Kothrade Sewer, Water & Excavating

Glen Kothrade

glenk@kothrade.com

763.498.8702 / CELL: 763.286.8702

Joel Schutte

763.286.2978

Larry Bursch

763.245.8756

Terry Bursch

763.400.4424

Tim Kotilinek

763.286.1558

FAX: 763.498.8581

12059 Whitetail Lane, Hanover, MN 55341

COUNTIES: Anoka (2), Carver (10), Dakota (19), Hennepin (27) Ramsey (62), Sherburne (70), Wright (86)

SPECIALITIES: Installer, Pumper

Main Location

Kruse Backhoe Service

Larry Kruse

218.964.5260

PO Box 7, St. Hilaire, MN 56754

COUNTIES: Marshall (44), Pennington (57), Red Lake (63)

SPECIALITIES: Designer, Inspector, Installer, Pumper

Main Location

Kurt Larsen's Septic Services

Kurt Larsen

klseptic@gmail.com

507.530.3857

1783 Co. Hwy 8, Tyler, MN 56178

COUNTIES: Chippewa (12), Hennepin (27), Lac qui Parle Lake (37), Lincoln (41), Lyon (42), Murray (51), Pipestone (59), Redwood (64), Rock (67), Yellow Medicine (87)

SPECIALITIES: Designer

Main Location

LC Block & Precast, Inc.

Paul Steinhoff

lcblock@lakedalelink.net

320.274.5587

FAX: 320.274.7198

12052 State Hwy 24 NW, Annandale, MN 55302

COUNTIES: Anoka (2); Benton (5); Dakota (19); Hennepin (27); Ramsey (62); Scott (69); Sherburne (70); Stearns (73); Wright (86)

SPECIALITIES: Manufacturer

Main Location

Lashinski Services, Inc.

Ryan Lashinski, Owner

rlashinski@gmail.com

763.434.3915 / CELL: 612.919.3704

1244 Crosstown Blvd. NE, Ham Lake, MN 55304

COUNTIES: Anoka (2)

SPECIALITIES: Designer, Inspector, Installer, Operator/Maintenance, Pumper, Service Provider

Main Location

Lashinski Services, Inc.

Jim Lashinski

jlashinski@gmail.com

612.919.703

1326 161st Ave. NW, Andover, MN 55304

Main Location

Leustek Sand & Gravel

Charles Leustek

218.254.5110 / CELL: 218.969.5917

5525 Hwy. 73, Chisholm, MN 55719

COUNTIES: St. Louis (72)

SPECIALITIES: Designer, Inspector, Installer, Manufacturer

Main Location

Litzau Excavating, Inc.

Darian Litzau

ddlitzau@gmail.com

320.395.2467

17232 Zero Ave., Lester Prairie, MN 55354

COUNTIES: Carver (10), McLeod (46), Meeker (47), Sibley (71), Wright (86)

SPECIALITIES: Designer, Installer, Pumper

Main Location

Loverink Drainage Inc.

Lee Loverink

loverink4@gmail.com

507.473.0200

200 Zuyder Zee Ave. S, Hollandale, MN 56045

COUNTIES: Freeborn (24), Mower (50), Steele (74)

SPECIALITIES: Designer, Installer, Inspector, Pumper

Main Location

Maple Ridge Sewer, Inc.

Richard Weller, President

mapleridgesewer@gmail.com

763.689.6803

FAX: 763.689.8588

PO Box 72, Cambridge, MN 55008

SPECIALITIES: Designer, Inspector, Installer, Pumper, Service Provider

Main Location

Mares Excavating

Ron Mares

Nick Mares

Dianne Mares

mares@lakedalelink.net

320.274.3608

8344 State Hwy. 55 NW, Annandale, MN 55302

COUNTIES: Meeker (47), Stearns (73), Wright (86)

SPECIALITIES: Installer

Main Location

Marty's Excavating, Plbg & Htg, LLC

Marlin Ziermann

952.657.2548

7185 Rutz Lake Rd., Mayer, MN 55360

COUNTIES: Carver (10), Hennepin (27), McLeod (46), Meeker (47), Scott (69), Wright (86)

SPECIALITIES: Designer, Installer, Soil Scientist

Main Location

Mathews Sewer Systems LLC

Larry & Janice Mathews

mss01@frontiernet.net

320.583.9476

PO Box 265, Green Isle, MN, 55338

COUNTIES: Carver (10), McLeod (46), Sibley (71)

SPECIALITIES: Designer, Installer, Pumper

Branch Location

Mathews Sewer Systems LLC

Sheldon Mathews

sheldoni@frontiernet.net

320.583.9476

20309 371st Ave., Green Isle, MN 55338

Main Location

Meiny's Diggers, Inc.

Julie Daleiden

daleidenj@msn.com

763.497.2236

12231 43rd St. NE, St. Michael, MN 55376

COUNTIES: Anoka (2), Hennepin (27), Sherburne (70), Stearns (73), Wright (86)

SPECIALITIES: Installer

Main Location

Metro General Services

Dale Cazett, President

metrogeneralservices@gmail.com

763.428.2938 / CELL: 612.369.1069,

FAX: 763.428.2968

5790 Quam Ave. NE, St. Michael, MN 55376

COUNTIES: Statewide (88)

SPECIALITIES: Installer

2018 MOWA GENERAL MEMBERSHIP

Main Location**Meyer Sewer Service***Lana Meyer*

meyersewer@hotmail.com

651.459.0162

FAX: 651.459.2828

5325 Manning Ave. S, Afton, MN 55001

COUNTIES: Anoka (2), Dakota (19), Hennepin

(27), Ramsey (62), Washington (82)

SPECIALTIES: Pumper

Main Location**Meyer Sewer Service***Chris Wagner*

farmkidz@msn.com

651.459.0162 / CELL: 612.845.1809

6610 Neal Ave. S, Hastings, MN, 55033

Main Location**Mid MN Septic Services***Robert Billiet*

midmnbob@hutchtel.net

320.583.6431 / CELL: 320.234.7224

Dale Brenhaug

22517 Tagus Ave., Hutchinson, MN 55350

COUNTIES: Carver (10), Hennepin (27), Kandiyohi

(34), McLeod (46), Meeker (47), Sibley (71),

Wright (86)

SPECIALTIES: Designer, Inspector, Installer,

Operator/Maintenance, Pumper

Main Location**Midway Sewer Service***Kyle Borg*

midwaysewer@aol.com

*Shannon Franzen**Rich Borg*

218.628.0345

FAX: 218.628.0808

PO Box 1094, Proctor, MN 55810

COUNTIES: Carlton (9), St. Louis (72)

Main Location**Miller's Sewage Treatment Solutions***Bernie Miller*

bernie@millerssewage.com

*Jeremy George**Chris Schiewe*

320.398.2705

9075 155th St., Kimball, MN 55353

COUNTIES: Statewide (88)

SPECIALTIES: Designer, Inspector, Pumper

Main Location**Minnesota Precast Industries, Inc.***Brett Twining*

brett@mnprecast.com

651.437.2200

5480 142nd St. E, Rosemount, MN 55068

COUNTIES: Statewide (88)

SPECIALTIES: Manufacturer

Main Location**Morreim Drainage, Inc.***Philip Morreim*

philmorreim@msn.com

507.826.3449 / CELL: 507.330.1889

22121 733rd Ave., Albert Lea, MN 56007

COUNTIES: Faribault (22), Freeborn (24), Mower

(50), Steele (74), Waseca (81)

SPECIALTIES: Designer, Inspector, Installer

Branch Location**Morreim Drainage, Inc.***Mark Morreim*

CELL: 507.383.6550

71610 263rd St., Albert Lea, MN, 56007

Main Location**Multi-Flo Wisconsin***James Baker*

2mfwise@gmail.com

608.751.2884

FAX: 608.756.1447

1411 Liberty Lane, Janesville, WI 53545

COUNTIES: Statewide (88)

SPECIALTIES: Supplier

Main Location**Nels Thorson Excavating Co.***Nels Thorson*

218.439.3833

22403 260th St., Detroit Lakes, MN 56501

COUNTIES: Becker (3)

SPECIALTIES: Designer, Installer

Main Location**Northland Septic Maintenance***Rick Smith*

northlandseptic@tds.net

Dale, Wynn

dalebwynn@outlook.com

*Jeremiah McMillen**Dean Johnson*

dean.northlandseptic@outlook.com

Lee Niehaus

218.947.4999

4207 16th St. NW, Backus, MN, 56435

COUNTIES: Becker (3), Cass (11), Crow Wing (18),

Hubbard (29)

SPECIALTIES: Designer, Inspector, Installer,

Operations/Maintenance, Pumper

Main Location**Oak Ridge Construction Inc.***Jason Long, Owner*

oakridgeconstruction@tds.net

320.354.2621

604 4th Ave. SW, New London, MN 56273

COUNTIES: Kandiyohi (34), Lac qui Parle Lake

(37), McLeod (46), Meeker (47), Pope (61),

Redwood (64), Renville (65), Stearns (73), Swift

(76), Todd (77)

SPECIALTIES: Designer, Inspector, Installer,

Operator/Maintenance, Pumper, Service Provider

Main Location**Ohm Excavating***Grant Ohm*

chris@ohmexcavating.com

218.439.6428

PO Box 293, Audubon, MN, 56511

COUNTIES: Becker (3), Clay (14), Otter Tail (56)

SPECIALTIES: Designer, Inspector, Installer

Main Location**Olson's Sewer Service, Inc.***Jon Olson*

jonm@olsonsinthepink.com

651.464.2082

LeeAnn M. Weigt

lee@olsonsinthepink.com

Dale M. Weigt

daleweigt@olsonsinthepink.com

David Drury

daved@olsonsinthepink.com

Joel Hippen

joelh@olsonsinthepink.com

FAX: 651.248.7161

17638 Lyons St. NE, Forest Lake, MN

55025

COUNTIES: Anoka (2), Chisago (13), Dakota (19),

Hennepin (27) Isanti (30), Pine (58), Ramsey

(62), Scott (69), Sherburne (70), Washington (82)

SPECIALTIES: Installer, Pumper

Main Location**Overland Insurance Agency, Inc.***Nate, Harold, Mike, Overland*

nateo@overlandinsurance.com

218.346.6250

FAX: 218.346.9261

PO Box 150, Perham, MN, 56573

COUNTIES: Statewide (88)

SPECIALTIES: Supplier

Main Location**P & L Excavating***Forrie Peterson, Owner*

507.319.6664

PO Box 320, Clarks Grove, MN, 56016

COUNTIES: Freeborn (24)

SPECIALTIES: Designer, Inspector, Installer,

Pumper

Main Location**Patnode Brothers***Kevin Barthel*

kevin@patnodebrothers.com

612.919.0112

Chad Barthel

763.237.4269

Alex, Barthel

763.688.5300

2841 Lander Ave NE, Otter Tail County,

MN 55376

COUNTIES: Anoka (2), Carver (10), Hennepin (27),

Sherburne (70), Wright (86)

SPECIALTIES: Installer

2018 MOWA GENERAL MEMBERSHIP

Main Location

Peterson Motor Grader Service

Dennis Peterson

d1p3838@aol.com

507.549.3838

PO Box 212, 200 N Oak St., Vernon Center, MN 56090

COUNTIES: Blue Earth (7), Faribault (22), Martin (45)

SPECIALITIES: Designer, Installer

Main Location

Pillatzki Plumbing & Heating

Paul Pillatzki, Owner

320.769.2116 / CELL: 320.226.0803

1895 255th Ave., Dawson, MN 56232

Branch Location

Pillatzki Plumbing & Heating

Josh Pillatzki

josh.pillatzki@hotmail.com

938 Pine, Dawson, MN 56232

Main Location

Pinky's Environmental & Sewer Service

Neil Clymer, Owner

pinkyssewerservice@yahoo.com

651.439.4847 / CELL: 651.248.2003

FAX: 651.769.0584

PO Box 43, Stillwater, MN 55082

COUNTIES: Chisago (13), Dakota (19), Ramsey (62), Washington (82)

SPECIALITIES: Operator/Maintenance

Branch Location

Pinky's Environmental & Sewer Service

Denise Clymer, Owner

denise.clymer@yahoo.com

651.206.2497

12534 40th St. S, Afton, MN 55001

Branch Location

Pinky's Environmental & Sewer Service

Clarissa St. Claire,

Operations Manager

clarissa.clymer@yahoo.com

651.999.9962

Nick St. Claire, Maintainer

nst.claire@yahoo.com

651.324.1398

16580 17th St. S, Lakeland, MN 55043

Main Location

PointWatch Systems

Eric Larson

eric@pointwatch.com

320.362.4157

6549 Keystone Rd., Milaca, MN 56353

COUNTIES: Statewide (88)

SPECIALITIES: Other: Septic System Monitoring

Main Location

Poisson's Pumping Service, Inc.

Luc Poisson, Owner/Operator

poissonpumping@outlook.com

763.568.4819

27837 Yellow Pine St. NW, Isanti, MN 55040

COUNTIES: Anoka (2), Chisago (13), Isanti (30),

Pine (58), Sherburne (70), Wright (86)

SPECIALITIES: Pumper

Main Location

Polylok, Inc.

Pat Mulhall

patrick@polylok.com

877.765.9565

3 Fairfield Blvd., Wallingford, CT 06492

COUNTIES: Statewide (88)

SPECIALITIES: Manufacturer, Supplier

Main Location

Port-Able John Rental & Service Inc.

Nathan Johnson

nathan@portablejohn.net

218.751.9453

PO Box 1815, Bemidji, MN 56619

COUNTIES: Beltrami (4), Cass (11), Clearwater (15), Koochiching (36)

SPECIALITIES: Designer, Inspector, Pumper

Branch Location

Port-Able John Rental & Service Inc.

Wayne Johnson

218.556.9453

2154 Dane Ct. SE, Bemidji, MN 56601

Branch Location

Port-Able John Rental & Service Inc.

Josh Kern

11204 Quring Rd. NE, Blackdale, MN 56630

Main Location

Precast Systems, Inc.

Mark Smith

mark@darwinconcrete.com

320.693.8440

PO Box 56, 116 E Hwy. 12, Darwin, MN 55324

COUNTIES: Statewide (88)

SPECIALITIES: Manufacturer

Main Location

R K Construction Services, Inc.

Steven Kongsjord

rkconstruction@gmail.com

218.832.2842

PO Box 36, 39335 St Hwy. 286, Marcell MN 56657

COUNTIES: Itasca (31)

SPECIALITIES: Designer, Installer

Main Location

Rep Rite Burk & Assoc.

Bob Burk, President

bburk@repriteburk.com

Bill Cutter, Vice-President Sales

bcutter@repriteburk.com

651.686-0181

Andrew Cutter, Sales

apcutter@repriteburk.com

FAX: 651.686.0803

2369 Waters Dr., Mendota Heights, MN 55120

COUNTIES: Statewide (88)

SPECIALITIES: Manufacturer

Main Location

Ritter Sewer & Excavating

Mark Ritter

rittersewer@hotmail.com

218.927-4125

34753 390th Place, Aitkin, MN 56431

COUNTIES: Aitkin (3), Crow Wing (18)

SPECIALITIES: Designer, Inspector, Installer, Service Provider

Main Location

Robert Keranen Excavating

Robert Keranen, Owner

218.538.6647

50201 150th Street, Menahga, MN 56464

COUNTIES: Becker (3)

SPECIALITIES: Designer, Installer

Main Location

Rodning Excavating

Gordy Rodning

507.931.0905

38450 Riverview Hills, St. Peter, MN 56082

COUNTIES: Le Sueur (40), Nicollet (52), Sibley (71)

SPECIALITIES: Designer, Inspector, Installer

Main Location

Roger Machmeier

Dr. Roger Machmeier

remach1@juno.com

651.257.2019

29895 Sportsman Dr., #213, Chisago City, MN 55013

SPECIALITIES: Lifetime Member

Main Location

Ronnie Bowman Excavating

Ronnie Bowman

651.462.5193

PO Box 382, Stacy, MN 55079

COUNTIES: Anoka (2), Chisago (13), Isanti (30),

Kanabec (33), Pine (58), Ramsey (62), Sherburne (70), Washington (82)

SPECIALITIES: Installer

Main Location

RT Excavating & Services, Inc.

Randy Trnka, Owner

rtexcavating@frontiernet.net

507.364.7450 / CELL: 612.741.5492

20139 Lexington Rd., LeCenter, MN 56051

COUNTIES: LeSueur (40), Rice (66), Scott (69),

Waseca (81)

SPECIALITIES: Designer, Installer

Precast Systems

Concrete Products

Serving the area for over 40 years!

116 E. Hwy. 12 • Darwin, MN 55324
Toll Free 888-693-8440
 320-693-8440 • Fax: 320-693-9593
www.darwinconcrete.com

Septic Tanks

Holding Tanks

Traffic Load Rated

Grease Interceptors

Septic tanks are designed to exceed industry standards.

Guaranteed water tight.

Vacuum testing available.

Prompt Delivery.

2018 MOWA GENERAL MEMBERSHIP

Main Location**RT Vision****Tom Girtz, CEO**

tom@rtvision.com
320.632.0760 / CELL: 320.630.9397

Jonathon Blissenbach, Vice-President of Strategic Partnerships

jonathonb@rtvision.com
320.632.0760 / CELL: 320.493.7357

Mark Rood, Business Development Manager

marcr@rtvision.com
651.528.7004 / CELL: 612.799.0202
115 2nd St., NE, Little Falls, MN 56345

COUNTIES: Statewide (88)
SPECIALITIES: Software Provider

Main Location**Rumpca Companies, Inc.****Raymond Rumpca****Matthew Rumpca****Carol Rumpca**

rumpca-office@comcast.net

651.459.1556
FAX: 651.458.0793

700 Pullman Ave., St. Paul Park, MN 55071

COUNTIES: Anoka (2), Chisago (13), Dakota (19), Goodhue (25), Hennepin (27), Ramsey (62), Scott (69), Washington (82)

Main Location**Ruther Excavating, Inc.****Eric Ruther, President**

eruther@arvig.net

218.298.1477

37618 390th Ave., Richville, MN 56576

COUNTIES: Becker (3), Otter Tail (56)

SPECIALITIES: Designer, Installer

Main Location**Saint Croix Sewer Service****Tony Scully, President**

651.802.5730

4501 Allendale Drive, White Bear Lake, MN 55127

COUNTIES: Chisago (13), Dakota (19), Ramsey (62), Washington (82)

SPECIALITIES: Installer

Main Location**Saldana Excavating & Aggregate****Allen Saldana**

allen@saldanaexcavating.com

320.393.2160

9885 Hwy 10 NW, Rice, MN 56367

COUNTIES: Morrison (49), Sherburne (70), Stearns (73)

SPECIALITIES: Installer

Main Location**Satellite Industries, Inc.****Mark Elhardt, Area Sales Manager**

marke@satelliteco.com
763.258.9243

Steven Gunderson, Truck Sales Rep.

steveg@satelliteco.com
763.551.7241 / CELL: 612.258.1318
2530 Xenium Lane, Plymouth, MN 55441

COUNTIES: Statewide (88)
SPECIALITIES: Manufacturer

Main Location**Schmitz Excavating****Pete Schmitz, Owner**

peteschmitz@tds.net
763.878.2296 / CELL: 763.238.4279

FAX: 763.878.2299
13667 Meridian Avenue N., Monticello, MN 55362

COUNTIES: Benton (5), Meeker (47), Mille Lacs (48), Sherburne (70), Stearns (73), Wright (86)

SPECIALITIES: Installer, Pumper

Main Location**Schrupp Excavating, LLC****Raymond Schrupp**

schruppex@uslink.net

218.587.4038

3003 - 36th Street SW, Pine River, MN 56474

COUNTIES: Aitkin (01), Css (11), Crow Wing (18), Hubbard (29), Morrison (49), Wadena (80)

SPECIALITIES: Designer, Installer

Main Location**Schueller Septic Solutions LLC****Bill Schueller**

billschueller@gmail.com

218.998.0861

23725 240th Ave., Fergus Falls, MN 56537

COUNTIES: Douglas (21), Grant (26), Otter Tail (56), Wilkin (84)

SPECIALITIES: Designer, Inspector

Main Location**Schumacher Excavating, Inc.****Allan Schumacher**

507.732.5043

50 Warren Ave. Zumbrota, MN 55992

COUNTIES: Dodge (20), Goodhue (25), Olmsted (55), Wabasha (79)

SPECIALITIES: Designer, Installer

Main Location**Searles Well Drilling****Donald Schaefer**

well@newulmtel.net
507.354.8633

Alan Sellner

FAX: 507.359.2191
13035 Co. Rd., 25, New Ulm, MN 56073
COUNTIES: Blue Earth (7), Brown (8), Cottonwood (17), Jackson (32), Martin (45), Nicollet (52), Redwood (64), Renville (65), Sibley (71), Watonwan (83)

SPECIALITIES: Designer, Inspector, Installer, Pumper

Main Location**Septic Check****Brian Koski**

brian@septiccheck.com

320.983.2447 / CELL: 218.428.0391

Travis Johnson

travis@septiccheck.com

CELL: 320.630.4253

Melissa Besser

melissa@septiccheck.com:

Dave Blesener

dave@septiccheck.com

CELL: 320.630.0684

Eric Otte

ericotte@septiccheck.com:

FAX: 320.983.2151
6074 Keystone Rd., Milaca, MN 56353

COUNTIES: Statewide (88)
SPECIALITIES: Designer, Inspector, Installer, Pumper, Operator, Maintenance

Main Location**Septonics, Inc.****Todd Einck, CEO**

contact@septonicsinc.com

262.567.9030

PO Box 748, Chandler, AZ 85244

COUNTIES: Statewide (88)
SPECIALITIES: Manufacturer

Main Location**Serocki Excavating, Inc.****Lee Hansen**

serockiexcavating@prtcl.com

320.695.2589

PO Box 332, Browns Valley, MN 56219

COUNTIES: Big Stone (6), Traverse (78)
SPECIALITIES: Designer, Installer, Pumper

Main Location**Sewer Services, Inc.****Josh Swedlund**

swedlundmidwest@frontiernet.net
952.873.3292

25648 200th St., Belle Plaine, MN 56011

COUNTIES: Carver (10), Dakota (19), Hennepin (27), Isanti (30), Le Seuer (40), Ramsey (62), Rice (66), Scott (69), Sherburne (70), Sibley (71), Wright (86)

SPECIALITIES: Designer, Inspector, Installer, Pumper

Main Location**Shepard Excavating & Septic Service****Brian Shepard, Owner**

ttjbshep@paulbunyan.net

218.224.2754 / CELL: 218.760.7341

FAX: 218.224.4004

42554 Co. Rd. 45, Laporte, MN 56461

COUNTIES: Beltrami (4), Cass (11), Hubbard (29)

SPECIALITIES: Installer, Pumper

Main Location**SJE Rhombus****Sharlene Delaney**

sharlene.delaney@sjerhombus.com

218.847.1317

PO Box 1708, Detroit Lakes, MN 56502

COUNTIES: Statewide (88)

SPECIALITIES: Manufacturer

Main Location**Smilie's Sewer Service****Keith Valento, Co-Owner**

ab.sanitationservices@gmail.com

651.433.3934 / CELL: 651.261.1562

Jim Vaughan, Co-Owner

652.433.8700 / CELL: 651.315.3304

PO Box 100, Scandia, MN 55073

Main Location**Smith Plumbing & Heating****Sam Smith**

320.329.3798

PO Box 639, 905 N Main St, Renville, MN 56284

COUNTIES: Kandiyohi (34), Redwood (64), Renville (65), Yellow Medicine (87)

SPECIALITIES: Inspector, Installer, Pumper

2018 MOWA GENERAL MEMBERSHIP

Main Location

Smith's Septic & Engineering, LLC

Tim Smith
tpsogpw@hotmail.com
612.819.9018

275 Viking Blvd., NW, Cedar, MN 55011
COUNTIES: Anoka (2), Chisago (13), Hennepin (27), Isanti (30), Kanabec (33), Sherburne (70), Washington (82), Wright (86)
SPECIALITIES: Installer

Main Location

Soderstrom Septic, LLC

Tom Soderstrom
homestead4321@gmail.com
651.248.8459

2267 210th Ave., Mora, MN, 55051
COUNTIES: Aitkin (1), Chisago (13), Isanti (30), Kanabec (33) Mille Lacs (48), Pine (58)
SPECIALITIES: Designer, Inspector

Main Location

SP Testing, Inc.

Steven Schirmers, President
sptesting.wastewater@comcast.net

Debbie Schirmers, Secretary

763.497.3566
FAX: 763.497.5011
951 Katydid Lane NE, St. Michael, MN 55376

COUNTIES: Anoka (2), Chisago (13), Dakota (19), Hennepin (27), McLeod (46), Meeker (47), Ramsey (62), Scott (69), Sherburne (70), Stearns (73), Wright (86)

Main Location

Statema Backhoe Service, LL

Andrew Statema, Owner
statemabackhoe@gmail.com
320.760.6212

29165 Cty. Rd. 18, Browerville, MN 56438
COUNTIES: Cass (11), Crow Wing (18), Douglas (21), Morrison (49), Otter Tail (56), Todd (77), Wadena (80)
SPECIALITIES: Designer, Inspector, Installer

Branch Location

Statema Backhoe Service, LLC

Steven Statema
statemas@gmail.com
320.594.6349 / CELL: 218.880.5408
13107 Deboarah Lane, SW, Motley, MN 56466

Branch Location

Statema Backhoe Service, LLC

Timothy Plautz
statemas@gmail.com
320.594.6349 / CELL: 218.639.1928
48271 Cty. 73, Hewitt, MN 56453

Main Location

St. Peter Well Drilling

Glen Schilling
spwell2@gmail.com
507.931-1340
45823 State Hwy. 22, Kasota, MN 56050

Main Location

Steinbrecher Companies

Shane Steinbrecher
septic@steinbrechercompanies.com
CELL: 612.221.8675

James Matineau

Robert Polgreen

William Hetzler

763.274.0925
13792 247th Ave, Zimmerman, MN 55398

COUNTIES: Statewide (88)
SPECIALITIES: Designer, Inspector, Installer, Service Provider, Supplier

Main Location

Stenger Excavating

Tim Stenger
steng_sue@hotmail.com
218.847.2912
35295 State Hwy. 34, Detroit Lakes, MN 56501

COUNTIES: Becker (3), Otter Tail (56)

SPECIALITIES: Designer, Inspector, Installer

Main Location

Steve 'O' Septic

Steve Langanki
steveoseptic@hotmail.com
612.991.0692
14433 Clementa Ave. NW, Monticello, MN 55362

COUNTIES: Becker (3), Clearwater (15), Sherburne (70), Stearns (73), Wright (86)

SPECIALITIES: Pumper

Main Location

Steve Weissenfluh Excavating, Inc.

Steve Weissenfluh
weissenfluh1@hotmail.com
763.389.2475 / CELL: 763.244.7006
29119 100th St., Zimmerman, MN 55398
COUNTIES: Isanti (30), Mille Lacs (48), Sherburne (70)
SPECIALITIES: Designer, Inspector, Installer

Main Location

Stewart Septic System Services

Douglas Stewart
507.425.2124 / CELL: 507.360.2241
2410 31st Street, Fulda, MN 56131
COUNTIES: Cottonwood (17), Jackson (32), Lyon (42), Murray (51), Nobles (53), Pipestone (59), Rock (67)
SPECIALITIES: Designer, Inspector, Installer, Pumper

Main Location

Superior Septic Service

Dave Roeder, Owner
daveroeeder@msn.com
218.834.6969 / CELL: 218.830.9669
1932 Big Rock Road, PO Box 70, Two Harbors, MN 55616
COUNTIES: Lake (38), St. Louis (72)
SPECIALITIES: Pumper

Main Location

Super Septic & Excavation

Wayne Johnson, President
gdigger@loretel.net
218.863.3373 / CELL: 218.863.7500
38992 183rd Ave., Pelican Rapids, MN 56572
COUNTIES: Becker (3), Clay (14), Douglas (21), Grant (26), Hubbard (29), Mahanomen (43), Norman (54), Otter Tail (56), Todd (77), Wadena (80), Wilkin (84)

SPECIALITIES: Advanced Designer, Inspector, Installer, Operator/Maintenance, Pumper, Installer

Main Location

T & S Excavating

Terry Stumvoll
terrywsue@gmail.com
218.568.8808
2308 91st Street SW, Pequot Lakes, MN 56472

COUNTIES: Cass (11), Crow Wing (18)

SPECIALITIES: Designer, Inspector, Installer

Main Location

Terra Firma

Scott Robinson, Owner
terra.firma.mn@gmail.com
218.353.7669, CELL: 218.220.2047
6769 Leskinen Rd., Finland, MN 55603
COUNTIES: Cook (16), Lake (38), St. Louis (72)
SPECIALITIES: Designer, Installer, Operator/Maintenance

Main Location

Thelen's Excavating Inc.

Leonard Thelen
thelensexavating@gmail.com
218.732.0015
32996 CR 135, Park Rapids, MN 56470
COUNTIES: Becker (03), Clearwater (15), Hubbard (29), Wadena (80)
SPECIALITIES: Designer, Inspector, Installer, Operator/Maintenance, Pumper

Main Location

Thelen's Precast & Ready Mix, Inc.

Jason Thelen, Owner
jtprecast@yahoo.com
218.252.6892 / CELL: 218.732.1458,
FAX: 218.732.1458
26341 US 71, Park Rapids, MN 56470
COUNTIES: Statewide (88)
SPECIALITIES: Manufacturer

Main Location

Thonvold Excavating

Daniel Thonvold, Owner
thonvoldexcavating@tds.net
320.979.3694
11801 Cty. Rd. 40, NW, Sunberg, MN 56289
COUNTIES: Chippewa (12), Kandiyohi (34), Pope (61), Stearns (73) Swift (76)
SPECIALITIES: Designer, Installer, Pumper

Main Location

Tom's Backhoe Service

Tommy De Marais
763.682.1011 / CELL: 612.363.7551
953 Cty. Rd. 35 W, Buffalo, MN, 55313
COUNTIES: Meeker (47), Stearns (73), Wright (86)
SPECIALITIES: Installer

Main Location

Tuf-Tite

Harry Plander
harry@tuf-tite.com
847.550.1011 / CELL: 800.382.7009
1200 Flex Court, Lake Zurich, IL 60047
COUNTIES: Statewide (88)
SPECIALITIES: Manufacturer

2018 MOWA GENERAL MEMBERSHIP

Main Location**Watab, Inc.***Tim Haeg, President*

tim@watab.net

320.363.1300 / CELL: 320.980.2103

FAX: 320.363.7398

14234 Fruit Farm Rd., St. Joseph, MN

56374

COUNTIES: Statewide (88)

SPECIALITIES: Advanced Designer, Advanced Inspector, Installer, Service Provider

Main Location**WC Peterson Excavating LLC***Vicki Peterson*

218.654.5282

1115 Cty. Rd. 8 NE, Federal Dam, MN 56641

SPECIALITIES: Designer, Inspector, Installer

Branch Location**WC Peterson Excavating LLC***Ross, Peterson*

9226 20th Ave., NE, Boy River, MN 56672

Branch Location**WC Peterson Excavating LLC***Butch Bader*

2611 112th St. NE, Boy River, MN 56672

Main Location**Weleski & Son, Inc.***Leland Weleski*

763.389.3056

7659 303rd Ave, Princeton, MN 55371

COUNTIES: Anoka (2), Chisago (13), Hennepin (27), Isanti (30), Kanabec (33), Mille Lacs (48), Ramsey (62), Sherburne (70), Stearns (73), Washington (82), Wright (86)

SPECIALITIES: Installer

Main Location**Wenck Associates, Inc.***Peter Miller P.S.S.,**Executive Vice-President*

pmiller@wenck.com

763.479.5121 / CELL: 763.370.5961

PO Box 249, Maple Plain, MN 55359

COUNTIES: Statewide (88)

SPECIALITIES: Designer, Inspector, Prof'l. Engineer, Service Provider, Soil Scientist

Branch Location**Wenck Associates, Inc.***Eric Blasing, Civil Engineer*

eblasing@wenck.com

651.294.4591

1802 Wooddale Dr. Woodbury, MN 55125

Branch Location**Wenck Associates, Inc.***Matthew Summers PSSIT,**Environmental Scientist*

msummers@wenck.com

651.395.5206

1802 Wooddale Dr., Woodbury, MN 55125

Branch Location**Wenck Associates, Inc.***Peter Danies PE, Project Engineer*

pdaniels@wenck.com

763.252.6838

7500 Olson Memorial Hwy., #300, Golden

Valley, MN 55427

Branch Location**Wenck Associates, Inc.***Brett A. Ballavance PE,**Regional Manager*

bballavance@wenck.com

218.393.4085

11 E. Superior St., #565, Duluth, MN

55802

Main Location**Widseth Smith Nolting & Associates***David Reese, Vice President*

dave.reese@wsn.us.com

218.316.3129

FAX: 218.829.2517

7804 Industrial Park Rd., Baxter, MN

56425

COUNTIES: Aitkin (1), Cass (11), Crow Wing (18), Hubbard (29), Mahnomon (43), Mille Lacs (48), Polk (60), Todd (77), Traverse (78), Wadena (80)

SPECIALITIES: Advanced Designer, Professional Engineer

Main Location**Wieser Concrete***Andy Winkler, General Manager*

winkler@wieserconcrete.com

Andy Wieser, President

andy@wieserconcrete.com

715.647.2311

W3716 US Hwy. 10, Maiden Rock, WI 54750

COUNTIES: Statewide (88)

SPECIALITIES: Manufacturer

Main Location**Wieser Precast Steps***Greg Verthein, Plant Manager*

greg@wieserprecaststeps.com

507.533.9304 / CELL: 507.273.1607

Monte Nagel, Shop Manager

suea@wieserprecaststeps.com

CELL: 507.259.9963

Roger Davidson, Truck Driver

CELL: 507.259.4008

FAX: 507.533.6571

946 Hwy 63 SE, Stewartville, MN 55976

COUNTIES: Blue Earth (07), Dakota (19), Dodge (20), Faribault (22), Fillmore (23), Freeborn (24), Goodhue (25), Houston (28), Jackson (32), Martin (45), Mower (50), Olmsted (55), Polk (60), Rice (66), Steele (74), Wabasha (79), Waseca (81), Winona (85)

SPECIALITIES: Manufacturer, Supplier

Main Location**Wieser Septic & Excavating***Leonard Wieser Jr., Owner*

jake@wieserseptic.com

507.895.8213

*Holly Wieser,**Administrative Assistant*

holly@wieserseptic.com

CELL: 507.450.4176

FAX: 507.896.7460

7750 TT Road, Houston, MN 55943

COUNTIES: Fillmore (23), Houston (28), Winona (85)

SPECIALITIES: Designer, Inspector, Installer

Main Location**Willmar Precast Company***Ron Jaspersen, General Manager**Topher Lee, President*

topher@ballenterprises.com

763.999.0806 / CELL: 763.999.0806 FAX:

*Jacob Beriou,**Operations/Plant Manager*

jacob@ballenterprises.com

320.235.8527

FAX: 320.231.1054

5310 15th Ave. SW, Willmar, MN 56201

COUNTIES: Statewide (88)

SPECIALITIES: Manufacturer

Main Location**Wippler Precast***Gary Wippler, Owner*

wipplerprecast@gmail.com

218.587.5209

Box 93, 1943 27th St. SW, Pine River, MN 56474

COUNTIES: Becker (3), Beltrami (04), Cass (11), Clearwater (15), Crow Wing (18), Hubbard (29), Itasca (31), Lake of the Woods (39), Mahnomon (43), Mille Lacs (48), Morrison (49), Otter Tail (56), Pennington (57), Red Lake (63), Sherburne (70), Stearns (73), Todd (77), Wadena (80)

SPECIALITIES: Manufacturer

Main Location**Wirth Septic Systems, LLC***Jeff, Wirth, Owner*

wirthseptic@yahoo.com

507.374.6327, CELL: 507.216.2890

FAX: 507.374.6327

16253 595th St., Dodge Center, MN 55927

COUNTIES: Dodge (20), Faribault (22), Freeborn (24), Goodhue (25), Mower (50), Olmsted (55), Steele (74), Waseca (81)

SPECIALITIES: Designer, Inspector, Installer, Pumper, Service Provider

Main Location**Ziegler CAT***Merlin Satrom*

merlin.satrom@zieglercat.com

*VJ Polkus**Brad Sewell*

952.887.5870

FAX: 952.887.5818

901 W. 94th St., Minneapolis, MN 55420

COUNTIES: Statewide (88)

SPECIALITIES: Supplier

MORE CHOICES. MORE CONFIDENCE.

CAT 320 GC

CAT 320

CAT 323

No one knows better than you do that to get more done at the lowest possible cost requires confidence in your crew and equipment choices. Next Generation Cat® Excavators offer unique combinations of features that you can match to your work's productivity and cost targets. What kind of results can you expect?

UP TO **45%**
MORE EFFICIENCY

UP TO **25%** LESS
FUEL CONSUMPTION

UP TO **15%** LOWER
MAINTENANCE COST

CONTACT US TODAY ABOUT THE NEW RANGE OF EXCAVATOR CHOICES AND WHICH ONE IS RIGHT FOR YOU.

MORE DETAILS AND SPECIFICATIONS ARE AVAILABLE AT ZIEGLERCAT.COM.

© 2018 Caterpillar. All Rights Reserved. CAT, CATERPILLAR, BUILT FOR IT, their respective logos, "Caterpillar Yellow", the "Power Edge" trade dress as well as corporate and product identity used herein, are trademarks of Caterpillar and may not be used without permission.

ZIEGLER CAT

Main Location**AK Industries**

Steven Davis, Sales Associate
 steved@akindustries.com
 574.936.2542 / CELL: 574.780.2224
 FAX: 574.436.2298
 PO Box 640, Plymouth, IN 46563
 COUNTIES: Statewide (88)
 SPECIALITIES: Manufacturer

Main Location**Al's Concrete Products, Inc.**

Bruce Wieser
 charlie@alsconcreteproducts.com
 507.845.4509
 800 Townhall Rd., LaCrescent, MN 55947
 COUNTIES: Statewide (88)
 SPECIALITIES: Manufacturer

Main Location**Belle Plaine Block & Tile, Inc.**

Jennifer Shinehouse
 bpbt@frontiernet.net
 952.873.2363 / CELL: 952.873.2368
 130 South Ash St, Belle Plaine, MN 56011
 COUNTIES: Statewide (88)
 SPECIALITIES: Manufacturer, Supplier

Main Location**Bongard Corp./Norwesco**

Mike Smeed
 mikesmeed@bongard.com
 651.982.9802
 13666 Lake Dr., PO Box 640, Forest Lake, MN 55025
 COUNTIES: Statewide (88)
 SPECIALITY: Supplier

Main Location**Brown-Wilbert Inc.**

Todd Paul
 tpaul@brown-wilbert.com
 320.251.4181
 3921 Roosevelt Road, St. Cloud MN 56301
 COUNTIES: Statewide (88)
 SPECIALITY: Manufacturer

Branch Location**Brown-Wilbert Inc.**

Jack Ascherman
Connor Brown
 jascherman@brown-wilbert.com
 651.631.1234
 2280 N. Hamline Ave., St. Paul, MN 55113

Branch Location**Brown-Wilbert Inc.**

Robert Kodet
 rkodet@brown-wilbert.com
 952.469.3996
 22676 Pillsbury Ave., Lakeville, MN 55044

Branch Location**Brown-Wilbert Inc.**

Gerald DeGrey
 robertbobspump@aol.com
 320.589.3173
 513 E. 7th St., Morris, MN 56267

Branch Location**Brown-Wilbert Inc.**

Ike Paxton
 701.235.6669
 4525 University Dr. S, Fargo, ND 58104

Main Location**Carlson Concrete Products**

Al Johnson
Leonard Kriske
Kenny Schramm
 carlsonconcrete@yahoo.com
 218.724.3391
 FAX: 218.724.0743
 4958 Rice Lake Rd, Duluth, MN 55803
 COUNTIES: Aitkin (1), Carlton (9), Cook (16), Lake (38), Lake of the Woods (39), Mille Lacs (48), Pine (58), St. Louis (72)
 SPECIALITIES: Manufacturer, Supplier

Main Location**Crest Precast, Inc.**

Steve Mader
 steve@crestprecastconcrete.com
 507.895.2342
Dennis Stevens
 dennis@crestprecastconcrete.com
 CELL: 262.844.9139
 FAX: 507.895.2377
 609 Kistler Dr., LaCrescent, MN 55947
 COUNTIES: Statewide (88)
 SPECIALITY: Manufacturer

Main Location**Crust Busters**

Pete Schmitz
 pete@crustbusters.com
 763.878.2296
 13667 Meridian Ave. N, Monticello, MN 55362
 COUNTIES: Sherburne (70), Stearns (73), Wright (86)
 SPECIALITIES: Manufacturer, Supplier

Branch Location**Crust Busters**

Steve Rasset
 6779 Jefferson Ave. NW, Annandale, MN 55302

Main Location**Del Zotto Products of MN, Inc.**

Bill Del Zotto, Owner
 r.krall@delzottolink.com
 218.384.3066
 FAX: 763.421.9882
Dale Lisdahl, Sales
 d.lisdahl@delzottolink.com
 218.384.3066
 FAX: 218.384.3068
 1900 Cty. Rd. 1, Wrenshall, MN 55797
 COUNTIES: Statewide (88)
 SPECIALITIES: Manufacturer, Supplier

Branch Location**Del Zotto Products of MN, Inc.,**

Ryan Krall, Sales
 r.krall@delzottolink.com
 763.421.9800 / CELL: 612.308.8455
 FAX: 763.421.9882
 3098 162nd St. NW, Andover, MN 55304

Main Location**DSG-Pipeline**

Kurt Christopherson
 kurtc@pipeline-supply.com
 612.716.9708
 9668 Fallon Ave, Monticello, MN 55367
 COUNTIES: Statewide (88)
 SPECIALITY: Supplier

Main Location**Eljen Corporation**

Eric Daniels, Technical Specialist
 edaniels@eljen.com
 774.275.4569
 125 McKee St., East Hartford, CT 06108
 COUNTIES: Statewide (88)
 SPECIALITY: Manufacturer

Main Location**Fergus Power Pump, Inc.**

Mitch Okerstrom
 mitch@ferguspowerpump.com
 218.736.6772
 24978 225th St., Fergus Falls, MN 56537
 COUNTIES: Becker (3), Grant (26), Otter Tail (56), Wilkin (84)
 SPECIALITIES: Manufacturer, Pumper

Main Location**First Supply**

Warren Haberman, Branch Manager
 whaberman@1supply.com
 218.829.6900
 FAX: 218.828.9152
 18078 State Hwy. 371, Brainerd, MN 56401
 COUNTIES: Statewide (88)
 SPECIALITIES: Supplier

Branch Location**First Supply**

Wyatt Buttke, Product Manager
 wbuttk@1supply.com
 920.831.5252
 FAX: 920.831.5286
 2100 W. College Ave., Appleton, WI 54914

Branch Location**First Supply**

Charlie Peterson, Fluid Handling Manager
 cpeterson@1supply.com
 507.536.2631
 FAX: 507.287.0653
 3815 Hwy. 14, Rochester, MN, 55901

Main Location**FS3, Inc.**

Marty Ferguson, President
 marty@fs3inc.biz
 320.274.7223
 FAX: 320.274.7205

Brent Baker, Sales
 brent@fs3inc.biz

Dean Schreiner, Sales
 dean@fs3inc.biz

9030 64th St., NW, PO Box 989,
 Annandale, MN 55302
 COUNTIES: Statewide (88)
 SPECIALITIES: Supplier

2018 MANUFACTURERS / SUPPLIERS

Main Location

Goulds Water Technology/Xylem

Chris DeParde

chris.deparde@xylem.com
612.865.7049

4100 Blaisedell Ave., Minneapolis, MN 55409

COUNTIES: Statewide (88)
SPECIALTIES: Manufacturer

Main Location

Granite Water Works, Inc.

Jeff Molitor

jeff@granitewaterworks.com
320.253.8587

635 285th Ave. S, Waite Park, MN, 56387

COUNTIES: Statewide (88)
SPECIALTIES: Supplier

Main Location

Hoot Systems, LLC

Ronald Suchecki, General Manager

ron@hootsystems.com
337.474.2804

Troy Cormier

troy@hootsystems.com
337.474.2804

Aaron Yonts

aaron@hootsystems.com
337.704.0161

FAX: 337.478.7592

2885 Highway 14 E, Lake Charles, LA 70607

COUNTIES: Statewide (88)
SPECIALTIES: Manufacturer/Supplier

Main Location

Imperial Industries, Inc.

Kristi Adams, Sales, Marketing, Events Manager

kristi@imperialind.com
715.359.0200

Kyle Haase, Commercial Sales Manager

kyle@imperialind.com

Kurt Mannel, VP

kurt@imperialind.com

550 W. Industrial Park Ave., Rothschild, WI 54474

COUNTIES: Statewide (88)
SPECIALTIES: Manufacturer

Main Location

Infiltrator Water Technologies

Jeff Iverson

jeffiverson@infiltratorwater.com
507.254.6680

43476 Conifer St., Aitkin, MN 56431

COUNTIES: Statewide (88)
SPECIALTIES: Manufacturer

Main Location

Insul-Seal Insulated PVC

Kevin DeBoer

insulate@hmtel.com
507.378.4131

PO Box 68, 217 Harrison Ave., Racine, MN 55967

COUNTIES: Statewide (88)
SPECIALTIES: Manufacturer

Main Location

L C Block & Precast, Inc.

Paul Steinhoff

lcblock@lakedalelink.net
320.274.5587

FAX: 320.274.7198

12052 State Hwy 24 NW, Annandale, MN 55302

COUNTIES: Anoka (2); Benton (5); Dakota (19); Hennepin (27); Ramsey (62); Scott (69); Sherburne (70); Stearns (73); Wright (86)
SPECIALTIES: Manufacturer

Main Location

Leustek Sand & Gravel

Charles Leustek

218.254.5110 / CELL: 218.969.5917
5525 Hwy. 73, Chisholm, MN, 55719

COUNTIES: St. Louis (72)
SPECIALTIES: Designer, Inspector, Installer, Manufacturer

Main Location

Minnesota Precast Industries, Inc.

Brett Twining

brett@mnprecast.com
651.437.2200

5480 142nd St. E, Rosemount, MN 55068

COUNTIES: Statewide (88)
SPECIALTIES: Manufacturer

Main Location

Multi-Flo Wisconsin

James Baker

2mfwise@gmail.com
608.751.2884

FAX: 608.756.1447

1411 Liberty Lane, Janesville, WI, 53545

COUNTIES: Statewide (88)
SPECIALTIES: Supplier

Main Location

Polylok, Inc.

Pat Mulhall

patrick@polylok.com
877.765.9565

3 Fairfield Blvd., Wallingford, CT 06492

COUNTIES: Statewide (88)
SPECIALTIES: Manufacturer, Supplier

Main Location

Precast Systems, Inc.

Mark Smith

mark@darwinconcrete.com
320.693.8440

PO Box 56, 116 E Hwy. 12, Darwin, MN 55324

COUNTIES: Statewide (88)
SPECIALTIES: Manufacturer

Main Location

Rep Rite Burk & Assoc.

Bob Burk, President

bburk@repriteburk.com

Bill Cutter, VP Sales

bcutter@repriteburk.com
651.686-0181

Andrew Cutter, Sales

apcutter@repriteburk.com

FAX: 651.686.0803

2369 Waters Dr., Mendota Heights, MN 55120

COUNTIES: Statewide (88)
SPECIALTIES: Manufacturer

Main Location

Satellite Industries, Inc.

Mark Elhardt, Area Sales Manager

marke@satelliteco.com
763.258.9243

Steven Gunderson, Truck Sales Rep.

steveg@satelliteco.com

763.551.7241 / CELL: 612.258.1318

2530 Xenium Lane, Plymouth, MN 55441

COUNTIES: Statewide (88)
SPECIALTIES: Manufacturer

Main Location

Septronics, Inc.

Todd Einck, CEO

contact@septronicsinc.com
262.567.9030

PO Box 748, Chandler, AZ 85244

COUNTIES: Statewide (88)
SPECIALTIES: Manufacturer

Main Location

SJE Rhombus

Sharlene Delaney

sharlene.delaney@sjerhombus.com
218.847.1317

PO Box 1708, Detroit Lakes, MN 56502

COUNTIES: Statewide (88)
SPECIALTIES: Manufacturer

Main Location

Thelen's Precast & Ready Mix, Inc.

Jason Thelen, Owner

jtprecast@yahoo.com
218.252.6892 / CELL: 218.732.1458,

FAX: 218.732.1458

26341 US 71, Park Rapids, MN 56470

COUNTIES: Statewide (88)
SPECIALTIES: Manufacturer

Main Location

Tuf-Tite

Harry Plander

harry@tuf-tite.com

847.550.1011 / CELL: 800.382.7009

1200 Flex Court, Lake Zurich, IL 60047

COUNTIES: Statewide (88)
SPECIALTIES: Manufacturer

Main Location

Wieser Concrete

Andy Winkler, General Manager

winkler@wieserconcrete.com
715.647.2311

Andy Wieser, President

andy@wieserconcrete.com

W3716 US Hwy. 10, Maiden Rock, WI 54750

COUNTIES: Statewide (88)
SPECIALTIES: Manufacturer

2018 MANUFACTURERS / SUPPLIERS

Main Location

Wieser Precast Steps

Greg Verthein, Plant Manager
greg@wieserprecaststeps.com
507.533.9304 / CELL: 507.273.1607

Monte Nagel, Shop Manager
suea@wieserprecaststeps.com
CELL: 507.259.9963

Roger Davidson, Truck Driver
CELL: 507.259.4008

FAX: 507.533.6571

946 Hwy 63 SE, Stewartville, MN 55976

COUNTIES: Blue Earth (07), Dakota (19), Dodge (20), Faribault (22), Fillmore (23), Freeborn (24), Goodhue (25), Houston (28), Jackson (32), Martin (45), Mower (50), Olmsted (55), Polk (60), Rice (66), Steele (74), Wabasha (79), Waseca (81), Winona (85)

SPECIALITIES: Manufacturer, Supplier

Main Location

Wieser Septic & Excavating

Leonard Wieser Jr., Owner
jake@wieserseptic.com
507.895.8213

Holly Wieser, Administrative Assistant
holly@wieserseptic.com
CELL: 507.450.4176

FAX: 507.896.7460

7750 TT Road, Houston, MN 55943

COUNTIES: Fillmore (23), Houston (28), Winona (85)

SPECIALITIES: Designer, Inspector, Installer

Main Location

Willmar Precast Company

Ron Jaspersen, General Manager
320.235.8527

Topher Lee, President
topher@ballenterprises.com
763.999.0806 / CELL: 763.999.0806FAX:
320.231.1054

Jacob Beriou, Operations/Plant Manager
jacob@ballenterprises.com

5310 15th Ave. SW, Willmar, MN 56201

COUNTIES: Statewide (88)

SPECIALITIES: Manufacturer

Main Location

Wippler Precast

Gary Wippler, Owner
wipplerprecast@gmail.com
218.587.5209

Box 93, 1943 27th St. SW, Pine River, MN 56474

COUNTIES: Becker (3), Beltrami (04), Cass (11), Clearwater (15), Crow Wing (18), Hubbard (29), Itasca (31), Lake of the Woods (39), Mahnomon (43), Mille Lacs (48), Morrison (49), Otter Tail (56), Pennington (57), Red Lake (63), Sherburne (70), Stearns (73), Todd (77), Wadena (80)

SPECIALITIES: Manufacturer

Main Location

Ziegler CAT

Merlin Satrom
merlin.satrom@zieglercat.com

VJ Polkus

Brad Sewell

952.887.5870

FAX: 952.887.5818

901 W. 94th St., Minneapolis, MN 55420

COUNTIES: Statewide (88)

SPECIALITIES: Supplier

BUILD STRONG — BUILD SAFE
With Precast Tanks to 40,000 Gallons



- Quality- Engineered
- Superior Construction
- Easy Installation
- Septic, Holding, Grease
- HS-20 Traffic Loading Tanks Available
- Latest Technologies
- Guaranteed Water Tight
- Vacuum Testing Available

Providing Complete Underground Precast Solutions!



Wieser Concrete has precast solutions for every underground project from basic manholes to custom designed storm water applications.



WIESER CONCRETE *Innovation, Quality and Service since 1965*

www.wieserconcrete.com



SERVING ALL OF MINNESOTA

Maiden Rock, WI
Jordan, MN

800-325-8456
877-746-6211

“Where Quality is a Standard Not an Extra”

2018 GOVERNMENT / EDUCATORS

Main Location

Beltrami County

Brent Rud, Director

brent.rud@co.beltrami.mn.us
218.333.4159

Bill Best, Environmental Resource Specialist

william.best@co.beltrami.mn.us
218.333.4171

Shane Foley, Environmental Resource Specialist

shane.foley@co.beltrami.mn.us
218.33.4174

Kathy Ruzicka, Office Specialist

kathy.ruzicka@co.beltrami.mn.us

218.333.4158

Megan FitzGerald, Office Specialist

218.333.4152

701 Minnesota Ave., #113, Bemidji, MN 5660

COUNTIES: Beltrami (4)

SPECIALITIES: Gov't. Regulator

Main Location

Blue Earth County

Jesse Anderson

jesse.anderson@blueearthcountymn.gov
507.304.4381

Timothy Grant

tim.grant@blueearthcountymn.gov

Michael Schulte

michael.schulte@blueearthcountymn.gov
PO Box 3566, Mankato, MN 56002

COUNTIES: Blue Earth (7)

SPECIALITY: Gov't. Regulator

Main Location

Carver County Environmental Services

Joe Enfield

jenfield@co.carver.mn.us
952.361.1820

Lori Brinkman

lbrinkman@co.carver.mn.us
952.361.1811

Brad Hanzel

bhanzel@co.carver.mn.us
952.361.1805

Marcus Zbinden

mzbinden@co.carver.mn.us
952.361.1806

Alan Langseth

alangseth@co.carver.mn.us
952.361.1808
FAX: 952.361.1828
600 - 4th Street E, Chaska, MN 55318
COUNTY: Carver (10)
SPECIALITY: Gov't. Regulator, Inspector

Main Location

Cass County Environmental Services

John Ringle

john.ringle@co.cass.mn.us
218.547.7256

Robert Wright

robert.wright@co.cass.mn.us
218.820.1902

Scott Navratil

scott.navratil@co.cass.mn.us
218.820.5951

Brenda Davis

brenda.davis@co.cass.mn.us
218.547.7399

Dawn Berg

dawn.berg@co.cass.mn.us
218.547.7291
PO Box 3000, Walker, MN 56484
COUNTY: Cass (110)
SPECIALITY: Gov't. Regulator

Main Location

Chippewa County Land & Resource Management

JoAnn Blomme, Environmental Tech

jblomme@co.chippewa.mn.us

Scott Williams, Director

swilliams@co.chippewa.mn.us
320.269.6231
FAX: 320.269.5223
629 N. 11th St., Montevideo, MN 56265
COUNTY: Chippewa (12)
SPECIALITY: Gov't. Regulator

Main Location

Dakota County Water Resources

Michael Rutten, Water Resource Specialist

michael.rutten@co.dakota.mn.us
952.891.7008

Brad Becker, Environmental Resources

brad.becker@co.dakota.mn.us
952.891.7044

Dee McDaniels, Environmental Resources

dee.mcdaniels@co.dakota.mn.us
952.891.7024

Georg Fischer, Environmental Resources

george.fischer@co.dakota.mn.us
14955 Galaxie Ave., Apple Valley, MN 55124
COUNTY: Dakota County
SPECIALITIES: Gov't. Regulator, Soil Scientist

Main Location

Kandiyohi County Env. Services

Eric Van Dyken

eric_v@co.kandiyohi.mn.us
320.231.6229

Gary Geer

Jeff Bradberg

400 Benson Ave. SW, Willmar, MN 56201
COUNTIES: Kandiyohi (34)
SPECIALITIES: Gov't. Regulator, Inspector

Main Location

Martin County Planning & Zoning

Pam Flitter

pam.flitter@co.martin.mn.us

Wendy Chripich

wendy.chripich@co.martin.mn.us
507.238.3242
201 Lake Ave., Rm. 104, Fairmont, MN 56031
COUNTIES: Martin (45)
SPECIALITIES: Gov't. Regulator

Main Location

Mille Lacs County

Corrine Webb

corrine.webb@co.mille-lacs.mn.us
320.983.8458

Dillon Hayes

dillon.hayes@co.mille-lacs.mn.us
635 2nd St., SE, Milaca, MN 56353
COUNTIES: Mille Lacs (48)
SPECIALITIES: Gov't. Regulator

Main Location

MN Department of Health

Douglas Edson, Hydrologist

douglas.edson@state.mn.us
651.201.3659
625 Robert St. N, St. Paul, MN, 55164
COUNTIES: Statewide (88)
SPECIALITIES: Gov't Regulator

Branch Location

MN Department of Health

Carol Kephart, Sanitarian Supervisor

carol.kephart@state.mn.us
507.344.2715
FAX: 651.201.4701
12 Civic Center Plaza, Mankato, MN 56001

Branch Location

MN Department of Health

Craig Gilbertson, Principal Planner

craig.gilbertson@state.mn.us
218.308.2127
705 5th St., NW, Bemidji, MN 56601

Branch Location

MN Department of Health

Larry Peterson, Sanitarian Supervisor

lawrence.peterson@state.mn.us
218.302.6182
11 E. Superior St., Duluth, MN 55802

Main Location**MPCA****Nick Haig**

nick.haig@state.mn.us

651.757.2536

520 Lafayette Rd. N, St. Paul, MN 55155

COUNTIES: Statewide (88)

SPECIALITIES: Educator, Gov't. Regulator

Main Location**Nicollet County Property Services****Pete Otterness**

pete.otterness@co.nicollet.mn.us

507.934.7076

501 Minnesota Ave. S., St. Peter, MN

56082

COUNTIES: Nicollet (52)

SPECIALITIES: Gov't. Regulator

Main Location**Nobles County****Mark Koster**

mkoster@co.nobles.mn.us

Kathy Henderschiedt

khenderschiedt@co.nobles.mn.us

507.295.5322

PO Box 187, 960 Diagonal Rd.,

Worthington, MN 56187

COUNTIES: Nobles (53)

SPECIALITIES: Inspector

Main Location**Otter Tail County****Chris LeClair, Director -Land & Resource Management**

declair@co.ottertail.mn.us

Marsha Bowman**Kyle Westergard****Eric Babolian****Denise Gubrud****Jessica Fosberg**

218.998.8105

500 W. Fir Ave., Fergus Falls, MN 56537

COUNTIES: Otter Tail (56)

SPECIALITIES: Gov't. Regulator

Main Location**Pipestone County****Kyle Krier, Environmental Admin.**

kyle.krier@co.pipestone.mn.us

507.825.1185

Adam Ossefoort, SWCD**Conservationist**

adam.ossefoort@co.pipestone.

mn.us

Laura DeBeer, Water Resource Tech.

laura.debeer@co.pipestone.mn.us

Nicole Schwabach, Environmental Tech.

nicole.schwabach@co.pipestone.

mn.us

Stephanie LaBrune, Admin.**Assistant**

stephanie.labrune@co.pipestone.

mn.us

FAX: 507.825.6782

119 2nd Ave. SW, Suite 13, Pipestone,

MN 56164

COUNTIES: Pipestone (59)

SPECIALITIES: Gov't. Regulator

Main Location**Rice County Environmental Health****Marilee DeGroot, Environmental Director**

madegroot@co.rice.mn.us

507.332.6170

Bryce Krejcarek, Agricultural "Land Use" Planner

bkrejcarek@co.rice.mn.us

507.332.5954

Jacob Wagaman, Env. Health & Zoning Asst.

jwagaman@co.rice.mn.us

507.332.6169

Trent McCorkell, Zoning**Administrator**

tmccorkell@co.rice.mn.us

507.332.6168

Julie Runkel, Environmental Services Director

jrunkel@co.rice.mn.us

507.332.6118

FAX: (507) 332-6277

320 NW 3rd St., Faribault, MN 55021

COUNTIES: Rice (66)

SPECIALITIES: Gov't. Regulator

Main Location**Scott County Environmental Services****Mary VonEschen**

mvoneschern@co.scott.mn.us

952.496.8344

Kate Sedlacek

ksedlacek@co.scott.mn.us

952.496.8351

Dave Guenther

dguenther@co.scott.mn.us

952.496.8354

Jonathan Knight

jknight@co.scott.mn.us

952.496.8652

Nick Reishus

nreishus@co.scott.mn.us

952.496.8707

200 4th Ave. W, Shakopee, MN 55379

COUNTIES: Scott (69)

SPECIALITIES: Gov't./Regulator

Main Location**Stearns Co. Environmental Services****Hank Schreifels**

hankschreifels@co.stearns.mn.us

320.656.3613

705 Courthouse Sq, St. Cloud, MN 56303

COUNTIES: Stearns (73)

SPECIALITIES: Designer, Inspector, Gov't.

Regulator

Main Location**Steele County Planning & Zoning****Katie Barden**

katie.barden@co.steele.mn.us

507.444.7487/CELL: 507.456.7471

830 Florence Ave., Owatonna, MN 55060

COUNTIES: Steele (74)

SPECIALITIES: Gov't. Regulator, Inspector

Main Location**U of M Onsite Sewage Treatment Program****Sara Heger**

sfheger@gmail.com

612.625.7243 / CELL: 612.239.8910

Dave Gustafson

gusta002@umn.edu

Dan Wheeler

wheel027@umn.edu

Melissa Collins-Rutter

colli778@umn.edu

Jeff Peterson

jpeterson@umn.edu

1985 Buford Ave., St. Paul, MN 55108

COUNTIES: Statewide (88)

SPECIALITIES: Educator, Professional Engineer, Soil Scientist

Main Location**Washington County Public Health & Environment****Gary Bruns, Environmental Program Supervisor**

gary.bruns@co.washington.mn.us

651.430.6691

Nate Arthur, Senior Environmental Specialist

nate.arthur@co.washington.mn.us

651.430.4041

Joe Sanders, Environmental Specialist

joe.sanders@co.washington.mn.us

651.430.6679

Tyler Dale, Environmental Specialist

tyler.dale@co.washington.mn.us

651.430.6741

Kati Hallermann, Senior Office Support

katie.hallermann@co.washington.

mn.us

651.430.6696

FAX: 651.430.6730

14949 62nd St. N, Stillwater, MN 55082

COUNTIES: Washington (82)

SPECIALITIES: Gov't. Regulator

Main Location**Wright County Planning & Zoning****Bill Stephens, Environmental Health Officer**

bill.stephens@co.wright.mn.us

763.682.7331

Troy Johnson, Environmental Health Officer

troy.johnson@co.wright.mn.us

763.682.7335

Scott Deckert, Environmental Health Officer

scott.deckert@co.wright.mn.us

763.684.2320

Sean Riley, P&Z Administrator

sean.riley@co.wright.mn.us

763.682.7330

FAX: 763.682.7872

10 2nd St., NW, Rm.40, Buffalo, MN 55313

COUNTIES: Wright (86)

SPECIALITIES: Designer, Gov't. Regulator,

Inspector

| PAGE | PAGE | PAGE | PAGE |
|---|--|--|---|
| Adams, Garrett 8 Capra's Utilities Inc. 651.762.2500 | Becker, Brad 22 Dakota County Water Resources 952.891.7044 | Blissenbach, Jonathon ... 15 RTVision 320.632.0760 320.493.7357 | Brown, Connor 7, 19 Brown-Wilbert Inc. 651.631.1234 |
| Adams, Kristi 11, 20 Imperial Industries, Inc. 715.359.0200 | Bell, Jake 6 Bill Wolfe Excavating, Inc. 651.430.2256 612.919.2589 | Blomme, JoAnn 22 Chippewa County Land & Resource Management 320.269.6231 | Bruender, Steve 11 J.R. Bruender Construction, Inc. 507.257.3238 800.450.4161 |
| Anderson, Jesse 22 Blue Earth County 507.304.4381 | Berg, Eric 6 Berg Brothers 952.496.3616 | Boening, Steven 7 Boening Brothers Const. Service, LLP 507.524.3730 | Brunner, Jeff 7 Brunner Septic, LLC 218.821.0704 |
| Antus, Josh 11 Josh Antus Construction 218.666.0569 | Berg, Dawn 22 Cass County Environmental Services 218.547.7291 | Boening, Kyle 7 Boening Brothers Const. Service, LLP 507.524.3730 | Bruns, Gary 23 Washington County Public Health & Environment 651.430.6691 |
| Arthur, Nate 23 Washington County Public Health & Environment 651.430.4041 | Beriou, Jacob 17, 22 Willmar Precast Company 763.999.0806 | Bohning, Gary 7 Bohning Well Drilling Co. 952.445.4809 | Bucknell, Bruce 7 Bruce Bucknell Construction, Inc. 507.533.8830 507.259.6751 |
| Ascheman, Jack 4, 19 Brown-Wilbert Inc. 651.631.1234 | Berning, Brandon 9 Ende Septic Service 612.220.6926 | Bohn, Charles 7 Bohning Well Drilling Co. 952.445.4809 612.919.1542 | Bucknell, Todd 7 Bruce Bucknell Construction, Inc. 507.259.6754 |
| Babolian, Eric 23 Otter Tail County 218.998.8105 | Bertucci, James E. 6 A-1 Services, Inc. 218.744.4443 218.750.3394 | Bollig, Brian 7 Bollig, Inc. 320.235.2555 | Burk, Bob 14, 20 Rep Rite Burk & Assoc. 651.686.0181 |
| Bader, Butch 17 WC Peterson Excavating LLC 218.654.5282 | Bertucci, James A. 6 A-1 Services, Inc. 218.744.4443 218.750.8185 | Borg, Kyle 13 Midway Sewer Service 218.628.0345 | Burns, Robert 9 Feser Environmental 507.665.6022 |
| Baker, Brent 10, 19 FS3, Inc. 320.274.7223 | Besser, Melissa Septic Check 320.983.2447 | Borg, Rich 13 Midway Sewer Service 218.628.0345 | Bursch, Larry 12 Kothrade Sewer, Water, & Excavating 763.498.8702 763.245.8756 |
| Baker, James 13, 20 Multi-Flo Wisconsin 608.751.2884 | Best, Bill 22 Beltrami County 218.333.4171 | Borka, Jay 7 Borka Excavating LLC 320.485.2433 | Bursch, Terry 12 Kothrade Sewer, Water, & Excavating 763.498.8702 763.400.4424 |
| Bakker, Daniel 6 Bakker Septic Tanks LLC 507.247.3390 | Betke, Art 9 Fiedler's Your Pumping Specialists, Inc. 763.276.8420 | Bowman, Marsha 23 Otter Tail County 218.998.8105 | Burski, Rick 7 Burski Excavating, Inc. 320.393.4160 320.980.0619 |
| Ballavance, PE, Brett A. .. 17 Wenck Associates, Inc. 218.393.4085 | Billiet, Robert 13 Mid MN Septic Services 320.583.6431 320.234.7224 | Bowman, Ronnie 14 Ronnie Bowman Excavating 651.462.5193 | Buttke, Wyatt 9, 19 First Supply 920.831.5252 |
| Barden, Katie 23 Steele County Planning & Zoning 507.444.7487 507.456.7471 | Bishop, Ben 7 Bishop Excavating, Inc. 507.583.2999 | Bradberg, Jeff 22 Kandiyohi County Env. Services 320.231.6229 | Capra, Michael 4, 8 Capra's Utilities Inc. 651.762.2500 651.248.0707 |
| Barthel, Duane 9 Duane's Septic Service, LLC 763.497.2764 | Blakeman, Kent 7 Blakeman Inc. 218.963.4431 | Brenhaug, Dale 13 Mid MN Septic Services 320.583.6431 | Cardinal, Greg 10 GN Excavating Inc. 651.408.1124 612.919.1157 |
| Barthel, Kevin 9 Patnode Brothers 612.919.0112 | Blasing, Eric 4, 17 Wenck Associates, Inc. 651.294.4591 | Brinkman, Lori 22 Carver County Environmental Services 952.361.1811 | Casper, Jerry 8 Casper's Excavating, Inc. 763.434.3618 |
| Barthel, Chad 13 Patnode Brothers 763.237.4269 | Blesener, Dave 15 Septic Check 320.983.2447 320.630.0684 | Brogard, Brian 7 Brogard Plumbing Heating & Exc, Inc. 218.583.2041 | |
| Barthel, Alex 13 Patnode Brothers 763.688.5300 | | | |
| Baumgartner, Chad 9 Ellingson Companies 507.259.2371 | | | |

| PAGE | PAGE | PAGE | PAGE |
|---|--|---|--|
| Cazett, Dale 12 Metro General Services 763.428.2938 612.369.1069 | Danies PE, Peter 17 Wenck Associates, Inc. 763.252.6838 | DeParde, Chris 10, 20 Goulds Water Technology/ Xylem 612.865.7049 | Finne, Clint 9 Ellingson Companies 507.273.4634 |
| Chripich, Wendy 22 Martin County Planning & Zoning 763.434.3915 | Darlow Sr., Ernest 8 Darlow Excavating 218.426.4320 | Dern, Rich 6 Arrowhead/QBE 414.377.3660 | Fischer, Georg 22 Dakota County Water Resources 952.891.7024 |
| Christoperson, Kurt 9, 19 DSG-Pipeline 612.716.9708 | Davidson, Roger 17, 21 Wieser Precast Steps 507.533.9304 507.259.4008 | Doll, Jake 11 Jake's Johns LLC 218.841.5533 | Fischer, Dan 10 Flygare Excavating, Inc. 320.274.5437 |
| Clark, Herman 8 Clark's Excavating & Septic Pumping 218.236.1959 | Davis, Steven 22 AK Industries 574.936.2542 574.780.2224 | Drury, David 13 Olson's Sewer Service, Inc. 651.464.2082 | Flitter, Pam 22 Martin County Planning & Zoning 763.434.3915 |
| Clark, Jeremy 8 Clark's Excavating & Septic Pumping 218.236.1959 | Davis, Brenda 22 Cass County Environmental Services 218.547.7399 | Edson, Douglas 22 MN Department of Health 651.201.3659 | Flygare, Dean 10 Flygare Excavating, Inc. 320.274.5437 320.980.3856 |
| Clyme, Neil 14 Pinky's Environmental & Sewer Serv 651.439.4847 651.248.2003 | Day, Rodney 8 Day Excavating Inc. 218.947.3311 | Eicher, Jim 9 Duane's Septic Service, LLC 763.497.2764 | Flygare, Darren 10 Flygare Excavating, Inc. 320.980.2861 |
| Clymer, Denise 14 Pinky's Environmental & Sewer Serv 651.439.4847 651.206.2497 | Day, Jason 8 Day's Sewer Service, LLC 218.947.3139 | Eicher, Theresa 9 Duane's Septic Service, LLC 763.497.2764 | Foley, Shane 22 Beltrami County 218.33.4174 |
| Collins-Rutter, Melissa 23 U of M Onsite Sewage Treatment Program 612.625.7243 | De Marais, Tommy 16 Tom's Backhoe Service 763.682.1011 612.363.7551 | Einck, Todd 15, 20 Sepronics, Inc. 262.567.9030 | Fosberg, Jessica 23 Otter Tail County 218.998.8105 |
| Conboy, Mike 8 Conboy's Excavating/MC Contracting, 651.463.3907 | DeBeer, Laura 23 Pipestone County 507.825.1185 | Elavsky, Jordan 9 Elavsky Excavating & Septic, LLC 218.760.1162 | Foster, Jeffrey 7 Bohn Well Drilling Co. 952.445.4809 612.328.0814 |
| Cormier, Troy 11, 20 Hoot Systems, LLC 337.474.2804 | DeBoer, Kevin 11, 20 Insul-Seal Insulated PVC 507.378.4131 | Elhardt, Mark 15, 20 Satellite Industries, Inc. 763.258.9243 | Fox, Nick 8 Capra's Utilities Inc. 651.762.2500 |
| Cutter, Bill 14, 20 Rep Rite Burk & Assoc. 651.686-0181 | Deckert, Scot 23 Wright County Planning & Zoning 763.684.2320 | Ellingboe, Tim 9 Ellingboe Trucking & Excavating 320.979.9998 | Franzen, Shannon 13 Midway Sewer Service 218.628.0345 |
| Cutter, Andrew 14, 20 Rep Rite Burk & Assoc. 651.686-0181 | DeGeest, Seth 23 Apex Efficiency Solutions, SBC 763.201.8953 | Ende, Scott 9 Ende Septic Service 763.428.4489 | Garlisch, Everett 9 Eiden Farm Drainage 507.375.5774 |
| Dale, Tyler 23 Washington County Public Health & Environment 651.430.6741 | DeGrey, Gerald 7 Brown-Wilbert Inc. 320.589.3173 | Ende, Tristan 9 Ende Septic Service 612.366.4826 | Geer, Gary 22 Kandiyohi County Env. Services 320.231.6229 |
| Daleiden, Julie 12 Meiny's Diggers, Inc. 763.497.2236 | DeGroot, Marilee 23 Rice County Environmental Health 507.332.6170 | Enfiel, Joe 22 Carver County Environmental Services 952.361.1820 | Geib, Duane 10 Geib Well & Water Services 507.964.2711 |
| Daniels, Eric 9, 19 Eljen Corporation 774.275.4569 | Del Zotto, Bill 8, 19 Del Zotto Products of MN, Inc. 218.384.3066 | Erickson, Corey 8 Capra's Utilities Inc. 651.762.2500 | George, Jeremy 13 Miller's Sewage Treatment Solutions 320.398.2705 |
| | Delaney, Sharlene 15, 20 SJE Rhombus 218.847.1317 | Ferguson, Marty 10, 19 FS3, Inc. 320.274.7223 | Gielen, Dan 10 Gielen Excavating 218.246.2477 218.244.3608 |

| PAGE | PAGE | PAGE | PAGE |
|---|--|--|---|
| Gilbertson, Craig 22 MN Department of Health 218.308.2127 | Hammerschmidt, Kelly 9 Efficient Septic Pumping & Drain 320.354.0108 320.354.0108 | Hill, Jason 11 Jason Hill Excavating LLC 218.387.2501 | Johnson, Jeff 11 Jeff Johnson Excavating, Inc. 320.847.2607 |
| Girtz, Tom 15 RTVision 320.632.0760 320.630.9397 | Handrahan, John 8 Capra's Utilities Inc. 651.755.9748 | Hillman, Duane 10 Hillman Brothers, Inc. 320.273.2277 | Johnson, Dean 13 Northland Septic Maintenance 218.947.4999 |
| Goodale, Jake 7 Bruce Bucknell Construction, Inc. 507.533.8830 | Hansen, Gary 10 Hansen Excavation, Inc. 507.583.2348 | Hillman, Brandon 10 Hillman Brothers, Inc. 320.273.2277 320.760.1821 | Johnson, Nathan 14 Port-Able John Rental & Service Inc. 218.751.9453 |
| Grant, Timothy 22 Blue Earth County 507.304.4381 | Hansen, Lee 15 Serocki Excavating, Inc. 320.695.2589 | Hinrichs, Mark 10 Hinrichs Plumbing & Pump Service, In 507.732.5607 | Johnson, Wayne 14 Port-Able John Rental & Service Inc. 218.556.9453 |
| Greseyzyk, Carl 10 G & G Septic LLC 218.387.2122 | Hanzel, Brad 22 Carver County Environmental Services 952.361.1805 | Hippen, Joel 13 Olson's Sewer Service, Inc. 651.464.2082 | Johnson, Travis 4, 15 Septic Check 320.983.2447 320.630.4253 |
| Gubrud, Denise 23 Otter Tail County 218.998.8105 | Hayes, Dillon 22 Mille Lacs County 320.983.8458 | Hoehn, Tom 10 Hoehn Drainage & Excavating 507.388.7741 | Johnson, Wayne 4, 16 Super Septic & Excavation 218.863.3373 218.863.7500 |
| Guenther, Dave 23 Scott County Environmental Services 952.496.8354 | Hedlund, Darrel 10 Hedlund Plumbing & Heating, Inc. 320.286.2368 | Imholte, Marty 11 Imholte Excavation and Tracking 320.291.6675 | Johnson, Troy 23 Wright County Planning & Zoning 763.682.7335 |
| Gunderson, Steven ... 15, 20 Satellite Industries, Inc. 763.551.7241 612.258.1318 | Hedlund, Thad 10 Hedlund Plumbing & Heating, Inc. 320.286.2368 | Iverson, Jeff 11, 20 Infiltrator Water Technologies 507.254.6680 | Kampsen, Shaun 11 Kampsen Excavating, Inc. 320.894.5337 |
| Gustafson, Dave 23 U of M Onsite Sewage Treatment Program 612.625.7243 | Hedlund, Dale 10 Hedlund Plumbing & Heating, Inc. 320.286.2368 | James, Justin 11 James Brothers Construction, Inc. 507.267.4789 | Kaskinen, Charley 8 C K Septic Service & Toilet Rental, LLC 320.274.8875 763.300.5037 |
| Haase, Kyle 11, 20 Imperial Industries, Inc. 715.359.0200 | Heger, Sara 4, 23 U of M Onsite Sewage Treatment Program 612.625.7243 612.239.8910 | James, Steve 11 James Brothers Construction, Inc. 507.267.4789 | Kephart, Carol 22 MN Department of Health 507.344.2715 |
| Haberman, Warren 9, 19 First Supply 218.829.6900 | Hell, Destry 8 D H Contracting 218.278.4767 | James, Wayne 11 James Brothers Construction, Inc. 507.267.4789 | Keranen, Robert 14 Robert Keranen Excavating 218.538.6647 |
| Haeg, Tim 17 Watab, Inc. 320.363.1300 320.980.2103 | Helm, Jerry 8 Dan's Sewer Service 763.434.6814 | Jason, Hackett Bohn Well Drilling Co. 612.919.1544 | Kern, Josh 14 Port-Able John Rental & Service Inc. 218.751.9453 |
| Hagsten, Larry 10 Hagsten Excavating, Inc. 218.263.4637 | Henderschiedt, Kathy 23 Nobles County 507.295.5322 | Jaspersen, Ron 4, 17, 21 Willmar Precast Company 320.235.8527 | Kidrowski, Larry 12 Kidrowski Enterprises 320.841.2184 |
| Haig, Nick 4, 23 MPCA 651.757.2536 | Henslin, Andy 9 Ellingson Companies 507.527.2294 612.275.8553 | Jindra, Dale Brainerd Lakes Sewer LLC 218.821.1236 | Kimman, Jim 12 Kimman Dirt Digger 320.632.0730 218.839.2678 |
| Hallermann, Kati 23 Washington County Public Health & Environment 651.430.6696 | Hetzler, William 16 Steinbrecher Companies 763.274.0925 | Johnson, Al 8, 19 Carlson Concrete Products 218.724.3391 | Kinney, Tim 6 A&T Septic & Excavating/J&J Pumping 320.894.8779 |
| Halling, Greg 10 Halling Engineering, Inc. 952.440.1680 | | Johnson, Chase 9 Executive Sanitation Inc. 320.965.2374 | |

| PAGE | PAGE | PAGE | PAGE |
|--|--|---|---|
| Klein, Chris 7 C K Excavating 612.414.7616 | Kriske, Leonard 8, 19 Carlson Concrete Products 218.724.3391 | Loverink, Lee 12 Loverink Drainage Inc. 507.473.0200 | Menden, Joey 7 Bohn Well Drilling Co. 952.292.5039 |
| Knight, Jonathan 23 Scott County Environmental Services 952.496.8652 | Kruse, Larry 12 Kruse Backhoe Service 218.964.5260 | Machmeier, Dr. Roger 14 Roger Machmeier 651.257.2019 | Meyer, Lana 13 Meyer Sewer Service 651.459.0162 |
| Koch, Bob 11 Ingleside Engineering & Construction 763.479.2637 612.919.1461 | LaBrune, Stephanie 23 Pipestone County 507.825.1185 | Mader, Steve 4, 8, 19 Crest Precast, Inc. 507.895.2342 | Miller, Bernie 4, 13 Miller's Sewage Treatment Solutions 320.398.2705 |
| Kodet, Robert 7,, 19 Brown-Wilbert Inc. 952.469.3996 | Langanki, Steve 16 Steve 'O' Septic 612.991.0692 | Mannel, Kurt 11, 20 Imperial Industries, Inc. 715.359.0200 | Miller P.S.S., Peter 17 Wenck Associates, Inc. 763.479.5121 763.370.5961 |
| Koenigs, Todd 9 Ellingson Companies 507.527.2294 507.676.3223 | Langseth, Alan 22 Carver County Environmental Services 952.361.1808 | Mares, Ron 12 Mares Excavating 320.274.3608 | Molitor, Jeff 10, 20 Granite Water Works, Inc. 320.253.8587 |
| Koep, Dustin 12 Koep's Septic, LLC 218.338.9671 | Larsen, Kurt 12 Kurt Larsen's Septic Services 507.530.3857 | Mares, Nick 12 Mares Excavating 320.274.3608 | Morreim, Philip 13 Morreim Drainage, Inc. 507.826.3449 507.330.1889 |
| Kongsjord, Steven 14 R K Construction Services, Inc. 218.832.2842 | Larson, Eric 14 PointWatch Systems 320.362.4157 | Mares, Dianne 12 Mares Excavating 320.274.3608 | Morreim, Mark 13 Morreim Drainage, Inc. 507.826.3449 507.383.6550 |
| Koski, Brian 15 Septic Check 320.983.2447 218.428.0391 | Lashinski, Ryan 12, 20 Lashinski Services, Inc. 763.434.3915 612.919.3704 | Mathews, Janice 12 Mathews Sewer Systems LLC 320.583.9476 | Moser, Jim 6 Affordable Pumping, Inc. 320.693.1000 |
| Koster, Mark 23 Nobles County 507.295.5322 | Lashinski, Jim 12, 20 Lashinski Services, Inc. 612.919.703 | Mathews, Larry 12 Mathews Sewer Systems LLC 320.583.9476 | Moser, Josh 10 Honey Wagon, LLC 218.963.2225 |
| Kothrade, Glen 12 Kothrade Sewer, Water, & Excavating 763.498.8702 763.286.8702 | LeClair, Chris 4, 23 Otter Tail County 218.998.8105 | Mathews, Sheldon 12 Mathews Sewer Systems LLC 320.583.9476 | Mulhall, Pat 14, 20 Polylok, Inc. 877.765.9565 |
| Kotilinek, Tim 12 Kothrade Sewer, Water, & Excavating 763.286.1558 | Lee, Topher 17, 21 Willmar Precast Company 763.999.0806 763.999.0806 | Matineau, James 16 Steinbrecher Companies 763.274.0925 | Nagel, Monte 17, 21 Wieser Precast Steps 507.533.9304 507.259.9963 |
| Krall, Ryan 8, 19 Del Zotto Products of MN, Inc. 763.421.9800 612.308.8455 | Lenort, Robert 7 Bob's Biffys LLC 507.773.4423 | May, Tami 9 DTB Mgmt. LLC 763.276.8420 | Navratil, Scott 22 Cass County Environmental Services 218.820.5951 |
| Krause, Ashley 6 Ark Septic, LLC 763.760.4172 | Leustek, Charles 12, 20 Leustek Sand & Gravel 218.254.5110 218.969.5917 | May, Dennis 9 DTB Mgmt. LLC 763.276.8420 | Niehaus, Lee 13 Northland Septic Maintenance 218.947.4999 |
| Krejcarek, Bryce 23 Rice County Environmental Health 507.332.5954 | Lisdahl, Dale 8, 19 Del Zotto Products of MN, Inc. 218.384.3066 | May, Brenda 9 DTB Mgmt. LLC 763.286.1815 | Ohm, Grant 13 Ohm Excavating 218.439.6428 |
| Krier, Kyle 23 Pipestone County 507.825.1185 | Litzau, Darian 12 Litzau Excavating, Inc. 320.395.2467 | McDaniels, Dee 22 Dakota County Water Resources 952.891.7024 | Okerstrom, Mitch 9, 19 Fergus Power Pump, Inc. 218.736.6772 |
| | Loken, Don 8 Don Loken Drainage 507.451.2873 | McMillen, Jeremiah 13 Northland Septic Maintenance 218.947.4999 | O'Laughlin, Kim 12 Kimo's Septic Tank Pumping 507.452.4488 |
| | Long, Jason 13 Oak Ridge Construction Inc. 320.354.2621 | | |

| PAGE | PAGE | PAGE | PAGE |
|--|---|--|--|
| O’Laughlin, Kyle 12 Kimo’s Septic Tank Pumping 507.452.6333 | Peterson, Ross 17 WC Peterson Excavating LLC 218.654.5282 | Ringle, John 22 Cass County Environmental Services 218.547.7256 | Ruzicka, Kathy 22 Beltrami County 218.333.4158 |
| O’Laughlin, Corey 12 Kimo’s Septic Tank Pumping 507.452.6340 | Pillatzki, Paul 14 Pillatzki Plumbing & Heating 320.769.2116 320.226.0803 | Ritter, Duane 11 Ingleside Engineering & Construction 763.477.5649 612.919.1461 | Saldana, Allen 15 Saldana Excavating & Aggregate 320.393.2160 |
| Olson, Jon 13 Olson’s Sewer Service, Inc. 651.464.2082 | Pillatzki, Josh 14 Pillatzki Plumbing & Heating 320.769.2116 | Ritter, Mark 14 Ritter Sewer & Excavating 218.927-4125 | Sanders, Joe 23 Washington County Public Health & Environment 651.430.6679 |
| Osborn, Jaeson 9 Ellingson Companies 303.944.7851 | Plander, Harry 16, 20 Tuf-Tite 847.550.1011 800.382.7009 | Robinson, Scott 16 Terra Firma 218.353.7669 218.220.2047 | Satrom, Merlin 17, 21 Ziegler CAT 952.887.5870 |
| Ossefoort, Adam 23 Pipestone County 507.825.1185 | Plaszcz, Nate 6 Advanced Septic Solutions Inc. 952.220.8163 | Rodning, Gordy 14 Rodning Excavating 507.931.0905 | Schaefer, Donald 15 Searles Well Drilling 507.354.8633 |
| Otte, Eric 15 Septic Check 320.983.2447 | Plautz, Timothy 16 Statema Backhoe Service, LLC 320.594.6349 218.639.1928 | Roeder, Dave 16 Superior Septic Service 218.834.6969 218.830.9669 | Scheidecker, Terry 10 Hawes Septic Tank Pumping, LLC 218.367.2309 |
| Otterness, Pete 4, 23 Nicollet County Property Services 507.934.7076 | Poisson, Luc 14 Poisson’s Pumping Service, Inc. 763.568.4819 | Rokes, Robert 7 Bob’s Septic Service 218.583.4424 218.640.6579 | Schiewe, Chris 13 Miller’s Sewage Treatment Solutions 320.398.2705 |
| Overland, Nate, Harold, Mike 13 Overland Insurance Agency, Inc. 218.346.6250 | Polgreen, Robert 16 Steinbrecher Companies 763.274.0925 | Rood, Mark 15 RTVision 651.528.7004 612.799.0202 | Schilling, Glen 16 St. Peter Well Drilling 507.931-1340 |
| Paul, Todd 7, 19 Brown-Wilbert Inc. 320.251.4181 | Polkus, VJ 17, 21 Ziegler CAT 952.887.5870 | Rud, Brent 22 Beltrami County 218.333.4159 | Schirmers, Steven 16 SP Testing, Inc. 763.497.3566 |
| Paxton, Ike 7, 19 Brown-Wilbert Inc. 701.235.6669 | Rasmussen, Mark 6 Apex Efficiency Solutions, SBC 763.201.8488 | Rumpca, Raymond 15 Rumpca Companies, Inc. 651.459.1556 | Schirmers, Debbie 16 SP Testing, Inc. 763.497.3566 |
| Pepin, Alex 6 Apex Efficiency Solutions, SBC 612.418.5509 | Rasset, Steve 8, 19 Crust Busters 763.878.2296 | Rumpca, Matthew 15 Rumpca Companies, Inc. 651.459.1556 | Schlueter, Bob 10 Hjerpe Contracting 320.234.8305 |
| Peterson, Charlie 9, 19 First Supply 763.276.8420 | Reese, David 17 Widseth Smith Nolting & Associates 218.316.3129 218.829.2517 | Rumpca, Carol 15 Rumpca Companies, Inc. 651.459.1556 | Schmitz, Pete 8, 19 Crust Busters 763.878.2296 |
| Peterson, Larry 22 MN Department of Health 218.302.6182 | Reishus, Nick 23 Scott County Environmental Services 952.496.8707 | Runkel, Julie 23 Rice County Environmental Health 507.332.6118 | Schmitz, Pete 15 Schmitz Excavating 763.878.2296 763.238.4279 |
| Peterson, Forrie 13 P & L Excavating 507.319.6664 | Riley, Sean 23 Wright County Planning & Zoning 763.682.7330 | Ruther, Eric 15 Ruther Excavating, Inc. 218.298.1477 | Schoenfeld, Mary 22 Beltrami County 218.333.4152 |
| Peterson, Dennis 14 Peterson Motor Grader Service 507.549.3838 | | Rutten, Michael 22 Dakota County Water Resources 952.891.7008 | Schramm, Kenny 8 Carlson Concrete Products 218.724.3391 |
| Peterson, Jeff 23 U of M Onsite Sewage Treatment Program 612.625.7243 | | | Schreifels, Hank 23 Stearns Co. Environmental Services 320.656.3613 |
| Peterson, Vicki 17 WC Peterson Excavating LLC 218.654.5282 | | | Schreiner, Dean 10, 19 FS3, Inc. 320.274.7223 |

| PAGE | PAGE | PAGE | PAGE |
|--|---|--|--|
| Schrupp, Raymond 15 Schrupp Excavating, LLC 218.587.4038 | Simon, Joseph 6 Badger Excavating, Inc. 507.744.5565 | Statema, Steven 16 Statema Backhoe Service, LLC 320.594.6349 218.880.5408 | Swenson, Jeff 15 Hedlund Plumbing & Heating, Inc. 320.286.2368 |
| Schueller, Bill 15 Schueller Septic Solutions LLC 218.998.0861 | Simon, Paul 6 Badger Excavating, Inc. 507.744.5565 | Steinbrecher, Shane 16 Steinbrecher Companies 763.274.0925 612.221.8675 | Thelen, Leonard 10 Thelen's Excavating Inc. 218.732.0015 |
| Schulte, Michael 22 Blue Earth County 507.304.4381 | Simonsen, Paul 6 Advanced Septic Solutions 6Inc. 507.210.4795 651.324.2773 | Steinbrucker, Paul 6 Advanced Septic Solutions Inc. 507.210.4795 651.307.5986 | Thelen, Jason 16 Thelen's Precast & Ready Mix, Inc. 218.252.6892 218.732.1458 |
| Schumacher, Allan 15 Schumacher Excavating, Inc. 507.732.5043 | Simonsen, Nick 6 Advanced Septic Solutions Inc. 651.324.3931 | Steinhoff, Paul 12, 20 L C Block & Precast, Inc. 320.274.5587 | Thompson, Aaron 6 A&T Septic & Excavating/J&J Pumping 320.221.1800 |
| Schutte, Joel 12 Kothrade Sewer, Water, & Excavating 763.498.8702 763.286.2978 | Smith, Jedidiah 11 Jed Smith Excavating & Septic, LLC 218.387.2933 218.370.8185 | Stenger, Tim 16 Stenger Excavating 218.847.2912 | Thonvold, Daniel 16 Thonvold Excavating 320.979.3694 |
| Schwebach, Nicole 23 Pipestone County 507.825.1185 | Smith, Rick 13 Northland Septic Maintenance 218.947.4999 | Stephens, Bill 23 Wright County Planning & Zoning 763.682.7331 | Thorson, Nels 13 Nels Thorson Excavating Co. 218.439.3833 |
| Scully, Tony 15 Saint Croix Sewer Service 651.802.5730 | Smith, Mark 4, 14, 20 Precast Systems, Inc. 320.693.8440 | Stevens, Dennis 8, 16 Crest Precast, Inc. 262.844.9139 | Throener, Mark 6 Big Stone Excavating 320.547.3124 320.360.5351 |
| Sedlacek, Kate 23 Scott County Environmental Services 952.496.8351 | Smith, Sam 15 Smith Plumbing & Heating 320.329.3798 | Stewart, Douglas 16 Stewart Septic System Services 507.425.2124 507.360.2241 | Throener, Rocky 6 Big Stone Excavating 320.360.4734 |
| Sellner, Alan 15 Searles Well Drilling 507.354.8633 | Smith, Tim 16 Smith's Septic & Engineering, LLC 612.819.9018 | Strandlund, Steven 8 Dirtworks, Inc. 763.434.4771 | Tiemann, Cindy 4, 9 Fiedler's Your Pumping Specialists, Inc. 320.252.9916 |
| Seppmann, Jadd 11 Jadd Seppmann & Sons 507.625.3400 | Soderstrom, Tom 16 Soderstrom Septic, LLC 651.248.8459 | Stumvoll, Terry 16 T & S Excavating 218.568.8808 | Tiemann, Jeff 9 Fiedler's Your Pumping Specialists, Inc. 320.252.9916 |
| Seppmann, Drew 11 Jadd Seppmann & Sons 507.625.3400 | St. Claire, Clarissa 14 Pinky's Environmental & Sewer Serv 651.439.4847 651.999.9962 | Sucheki, Ronald 11, 20 Hoot Systems, LLC 337.474.2804 | Trooien, Tom 6 All State Septic Services, LLC 651.439.7323 612.594.4496 |
| Seppmann, Todd 11 Jadd Seppmann & Sons 507.625.3400 | St. Claire, Nick 14 Pinky's Environmental & Sewer Serv 651.439.4847 651.324.1398 | Summers PSSIT, Matthew 17 Wenck Associates, Inc. 651.395.5206 | Toutges, Nathan 6 A&T Septic & Excavating/J&J Pumping 320.221.4512 |
| Sewell, Brad 17, 21 Ziegler CAT 952.887.5870 | Statema, Andrew 16 Statema Backhoe Service, LLC 320.760.6212 | Susterich, David 10 Great River Excavating LLC 218.828.4764 | Trnka, Randy 14 RT Excavating & Services, Inc. 507.364.7450 612.741.5492 |
| Shepard, Brian 15 Shepard Excavating & Septic Service 218.224.2754 218.760.7341 | | Swedlund, Josh 15 Sewer Services, Inc. 952.873.3292 | Tuttle, Dave 10 Gunflint Trail Excavating, LLC 218.388.4449 |
| Shinehouse, Jennifer 4, 6, 19 Belle Plaine Block & Tile, Inc. 952.873.2363 952.873.2368 | | Swenson, Shane 10 Hedlund Plumbing & Heating, Inc. 320.286.2368 | Twining, Brett 13, 20 Minnesota Precast Industries, Inc. 651.437.2200 |

| PAGE | PAGE | PAGE | PAGE |
|--|---|--|---|
| Valento, Keith 15 Smilie's Sewer Service 651.433.3934 651.261.1562 | Wagaman, Jacob 23 Rice County Environmental Health 507.332.6169 | Wheeler, Dan 23 U of M Onsite Sewage Treatment Program 612.625.7243 | Wirtzfeld, Tom 6 Advanced Septic Solutions Inc. 507.210.4795 |
| Van Beusekom, Brian 11 Ingleside Engineering & Construction 763.479.1869 612.290.7979 | Wagner, Chris 13 Meyer Sewer Service 651.459.0162 612.845.1809 | Wieser, Bruce 4, 6, 19 AI's Concrete Products, Inc. 507.845.4509 | Witt, Brandon 11 KA Witt 952.758.2108 |
| Van Beusekom, Ted 11 Ingleside Engineering & Construction 763.479.1869 763.742.3122 | Webb, Corrine 22 Mille Lacs County 320.983.8458 | Wieser, Andy 4, 17, 20 Wieser Concrete 715.647.2311 | Wright, Robert 22 Cass County Environmental Services 218.820.1902 |
| Van Dyken, Eric 22 Kandiyohi County Env. Services 320.231.62291 | Weigt, LeeAnn M. 13 Olson's Sewer Service, Inc. 651.464.2082 | Wieser, Holly 17, 21 Wieser Septic & Excavating 507.895.8213 507.450.4176 | Wynn, Dale 13 Northland Septic Maintenance 218.947.4999 |
| Vaughan, Jim 15 Smilie's Sewer Service 652.433.8700 651.315.3304 | Weigt, Dale M. 13 Olson's Sewer Service, Inc. 651.464.2082 | Wieser, Jr., Leonard... 17, 21 Wieser Septic & Excavating 507.895.8213 | Yonts, Aaron 11, 20 Hoot Systems, LLC 337.704.0161 |
| Verthein, Greg 4, 17, 21 Wieser Precast Steps 507.533.9304 507.273.1607 | Weissenfluh, Steve 16 Steve Weissenfluh Excavating, Inc. 763.389.2475 763.244.7006 | Williams, Scott 22 Chippewa County Land & Resource Management 320.269.6231 | Zbinden, Marcus 22 Carver County Environmental Services 952.361.1806 |
| VonEschen, Mary 23 Scott County Environmental Services 952.496.8344 | Weleski, Leland 17 Weleski & Son, Inc. 763.389.3056 | Winkler, Andy 4, 17, 20 Wieser Concrete 715.647.2311 | Ziemer, Justin 6 Advanced Property Inspections 320.354.7233 |
| Vukonich, Richard 8 Cloquet Constructors, LLC 218.879.1608 218.391.9258 | Weller, Richard 12 Maple Ridge Sewer, Inc. 763.689.6803 | Wippler, Gary 17, 21 Wippler Precast 218.587.5209 | Zierman, Marlin 12 Marty's Excavating, Plbg & Htg, LLC 952.657.2548 |
| | Westergard, Kyle 23 Otter Tail County 218.998.8105 | Wirth, Jeff 17 Wirth Septic Systems, LLC 507.374.6327 507.216.2890 | |



2019 MEMBERSHIP APPLICATION

Membership: Renewal New Member

| | | | |
|--|---|--|---|
| <input type="checkbox"/> Individual Member \$240 (1 person) | <input type="checkbox"/> Business Group /Government Unit \$340 (up to 5 people; \$100 /person after 5) | <input type="checkbox"/> Student \$140 (1 person) | <input type="checkbox"/> Life-time <input type="checkbox"/> Honorary |
|--|---|--|---|

Note: Your MOWA Membership includes one NOWRA membership

Memberships are based on calendar year - After July 1st, new members pay \$140-individual / \$190-business or gov't groups for remainder of 2019

Individual/Group Contact: This person will be listed as the NOWRA member on the Septic Locator website. They will be listed first in all MOWA publications. Please print clearly.

1st Member _____ Company Name _____
 Address _____ City/State/Zip _____
 Title _____ Phone _____ Mobile/800# _____ Fax _____
 Email _____ Website _____ County _____

Circle the counties you work in: Needed for Directory and website.

| | | | | | |
|--------------------|---------------------|-----------------------------|---------------------|--------------------|--------------------------|
| Statewide..... 88 | Clay 14 | Hubbard 29 | Marshall 44 | Pipestone 59 | Steele 74 |
| Aitkin..... 1 | Clearwater 15 | Isanti 30 | Martin 45 | Polk 60 | Stevens 75 |
| Anoka 2 | Cook 16 | Itasca 31 | McLeod 46 | Pope 61 | Swift 76 |
| Becker 3 | Cottonwood 17 | Jackson 32 | Meeker 47 | Ramsey 62 | Todd 77 |
| Beltrami 4 | Crow Wing 18 | Kanabec 33 | Mille Lacs 48 | Red Lake 63 | Traverse 78 |
| Benton 5 | Dakota 19 | Kandiyohi 34 | Morrison 49 | Redwood 64 | Wabasha 79 |
| Big Stone 6 | Dodge 20 | Kittson 35 | Mower 50 | Renville 65 | Wadena 80 |
| Blue Earth 7 | Douglas 21 | Koochiching 36 | Murray 51 | Rice 66 | Waseca 81 |
| Brown 8 | Faribault 22 | Lac qui Parle Lake 37 | Nicollet 52 | Rock 67 | Washington 82 |
| Carlton 9 | Fillmore 23 | Lake 38 | Nobles 53 | Roseau 68 | Watonwan 83 |
| Carver 10 | Freeborn 24 | Lake of the Woods 39 | Norman 54 | Scott 69 | Wilkin 84 |
| Cass 11 | Goodhue 25 | Le Sueur 40 | Olmsted 55 | Sherburne 70 | Winona 85 |
| Chippewa 12 | Grant 26 | Lincoln 41 | Otter Tail 56 | Sibley 71 | Wright 86 |
| Chisago 13 | Hennepin 27 | Lyon 42 | Pennington 57 | St. Louis 72 | Yellow Medicine 87 |
| | Houston 28 | Mahnomen 43 | Pine 58 | Stearns 73 | |

Information: (Check all that apply)

- Installer Pumper Designer Inspector Gov't Regulator Educator Service Provider Student
 Soil Scientist Professional Engineer Manufacturer Operator/Maintenance Supplier Other: _____

Additional Business/Government Members:

2nd Member _____ Title _____ County _____
 Address _____ City/State/Zip _____
 Phone _____ Mobile/800# _____ Fax _____ Email _____

3rd Member _____ Title _____ County _____
 Address _____ City/State/Zip _____
 Phone _____ Mobile/800# _____ Fax _____ Email _____

(Please list additional business/government group members on separate sheet with complete contact information.)

Publications: Would you prefer receiving 'Little Digger' newsletters via ... Regular Mail Electronically
 We currently send one publication per address to business/government groups. Contact the MOWA office if you'd like additional copies.

Additional NOWRA Memberships: MOWA membership fees include one NOWRA membership per company/organization. List names of members who want additional NOWRA memberships here: Cost - \$40 per person.

2) _____ 3) _____ 4) _____ 5) _____

Payment:
 (Please print) MOWA Membership \$ _____ + Add'l NOWRA Memberships = **Amount: \$** _____
 Check enclosed (Payable to MOWA) VISA MasterCard
 Card Number: _____ CVV: _____ Expiration Date: _____ Cardholder Name: _____
 Signature: _____ Date _____

MOWA, 5021 Vernon Ave, So., Suite 241, Edina, MN 55436 Phone: 612.801.5897 Fax: 952.487.4447

NOTE: Dues payable to MOWA are not deductible as a charitable contribution but may be deductible as an ordinary and necessary business expense. MOWA estimates that 10% of your MOWA dues are used for governmental affairs issues and therefore are not deductible.



5021 Vernon Ave. So., #241
 Edina, MN 55436
 Phone: 612.801.5897
 Fax: 952.487.4447

Presorted
 Standard
 U.S. Postage
PAID
 Rochester, MN
 Permit No. 289

RETURN SERVICE REQUESTED

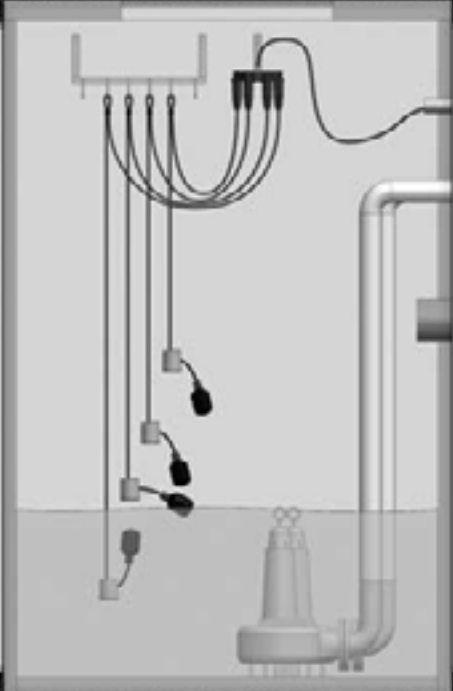
EZconnex[®] 4-PORT SYSTEM

Revolutionary Float Switch Connection System

Installation is as easy as 1, 2, 3...Simply install the manifold, plug in the floats, and wire the manifold cable to the control panel. The color-coded cable makes for a quick, clean installation! The quick release float switch connections allow for easy maintenance and replacement of floats, saving installers time and money...up to 75%! Many float switch options and 3-port manifold available to suit your needs!



- Simple, clean installation
- Up to 4 quick release floats
- Mounts directly in riser
- Great for new and retrofit applications
- Easy maintenance



S **SP**
 US Patent No.
 8,559,455 and 8,583,887
 Foreign Patents Pending

www.sjerhombus.com

